



JANUARY 2005

# **Amada<sup>®</sup>**

**Replacement Clamp Assemblies  
and Keys**

# TABLE OF CONTENTS



<b>Turret Keys (Sheet Sensors - Accessories)</b> .....	1-2
<b>Shear (New Style - Hydraulic)</b> .....	3-4
<b>Coma-Vipros (New Style - Hydraulic)</b> .....	5-6
<b>Pega-Vipros-Aries 245 (New Style - Air)</b> .....	7-8
<b>Pega (Old Style - Pneumatic)</b> .....	9-10
<b>Lyla-Coma-Vela (Old Style - Thin Clamp - Pneumatic)</b> .....	11-12
<b>Coma (Old Style - Thin Clamp - Hydraulic)</b> .....	13-14
<b>Vela-Coma (Old Style - Thick Clamp - Thick Turret - Pneumatic)</b> .....	15-16
<b>Octo (Pneumatic)</b> .....	17-18
<b>Coma (Old Style - Thick Clamp - Hydraulic)</b> .....	19-20
<b>Aries (222)</b> .....	21-22
<b>Coma-Pega-Lyla-Vela (Stub Length)</b> .....	23-24
<b>American Style-All Models (Air - Hydraulic)</b> .....	25-26
<b>Work Stopper Assembly (Flip Up - NC9EX)</b> .....	27-28
<b>Work Stopper Assembly (NC9EX)</b> .....	29-30

---

**Local**

Tel: 651-286-6001  
Fax: 651-286-5959

**Toll Free U.S.A. & Canada**

Tel: 800-328-9646  
Fax: 800-222-0002

**Toll Free Mexico**

Tel: 001-800-741-2510  
Fax: 001-800-544-2096

**Website & Email**

[www.wilsontool.com](http://www.wilsontool.com)  
[salesdesk@wilsontool.com](mailto:salesdesk@wilsontool.com)



# TURRET KEYS

## SHEET SENSORS – ACCESSORIES

	A	B	C
1.			
2.			
3.			
4.			
5.			
6.			
7.			
8.			
9.			

DWG. #	DESCRIPTION	AMADA DWG. #	CAT. NO.	PRICE
1A	Die Key (with screw - for 2", 3-1/2", 4-1/2" Stations)	488034	33635	
1B	Turret Key - 1-1/4" Station Auto Index		32608	
1C	Turret Key - 1-1/4" Station Auto Index	822420	33634	



**Local**  
Tel: 651-286-6001  
Fax: 651-286-5959

**Toll Free U.S.A. & Canada**  
Tel: 800-328-9646  
Fax: 800-222-0002

**Toll Free Mexico**  
Tel: 001-800-741-2510  
Fax: 001-800-544-2096

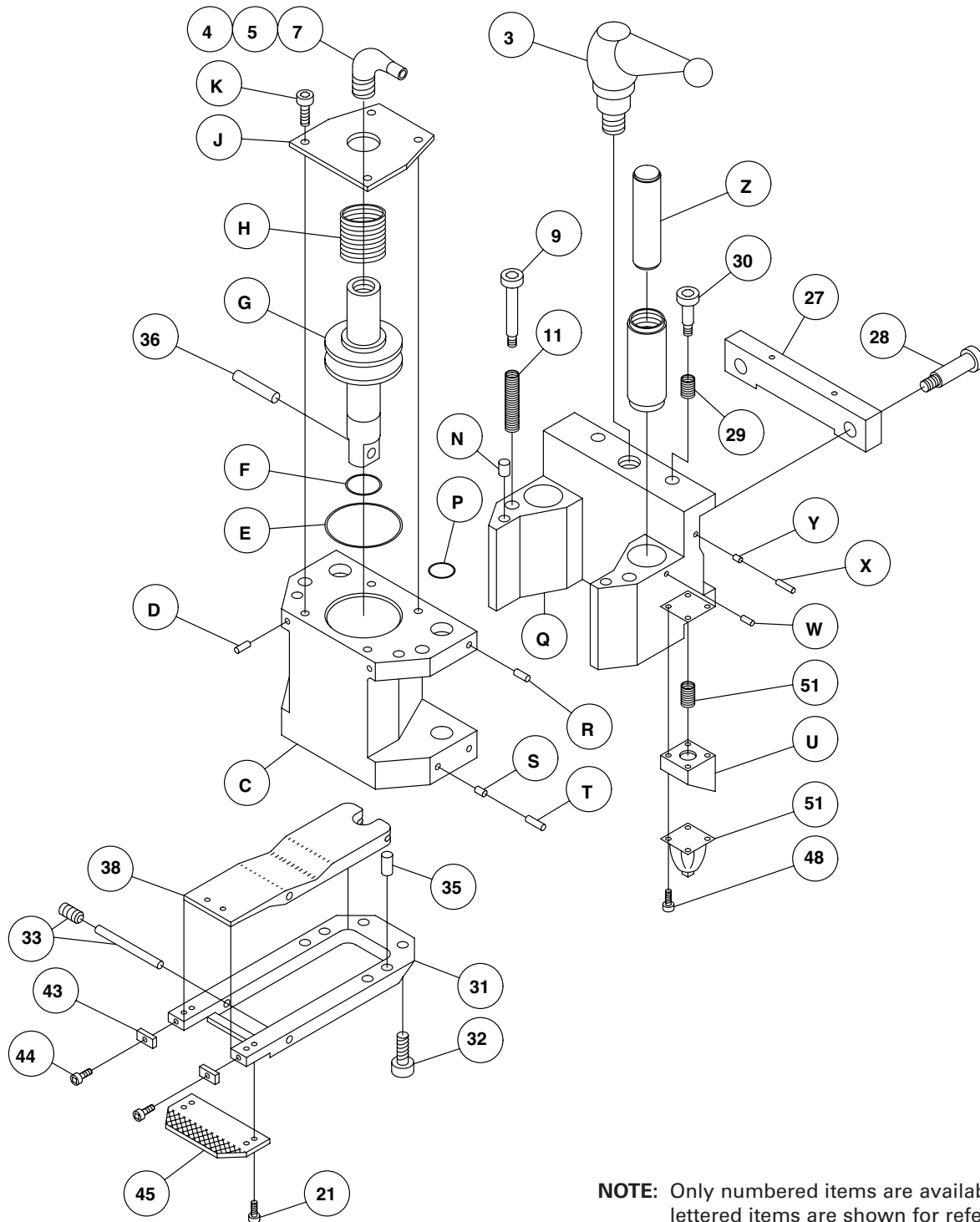
**Website & Email**  
www.wilsontool.com  
salesdesk@wilsontool.com

# TURRET KEYS

## SHEET SENSORS – ACCESSORIES



DWG. #	DESCRIPTION	AMADA DWG. #	CAT. NO.	PRICE
2A	Turret Key - 3-1/2" Station	5501010	33632	
2B	Turret Key - 4-1/2" Station (Vipros only) Auto Index		32864	
2B	Turret Key - 4-1/2" Station	5501016	33633	
2C	Turret Key		33168	
3A	Turret Key		32607	
3B	Turret Key - 1-1/4" Station	5501007	33630	
3C	Turret Key - 1-1/4" I.D.	8277263	33629	
4A	Turret Key		32609	
4B	Turret Key - 1-1/2" Station		32606	
4C	Turret Key		32625	
5A	Turret Key		32627	
5B	Turret Key - 4-1/2" Station		32620	
5C	Turret Key - 2" Station	5501050	33631	
6A	Turret Key		32621	
6B	Dove-Tail Section (14.75"/375mm long)		32615	
6B	Dove-Tail System (6 pcs.)		32616	
6C	Dove-Tail Section (14.75"/375mm long)		32613	
6C	Dove-Tail System (5 pcs.)		32614	
7A	Turret Key		32623	
7B	Turret Key		32624	
8A	Sheet Sensor		32617	
8B	Sheet Sensor		32618	
8B	Sheet Sensor (Y-Adapter)		32619	
8C	Shear Wear Pad		32610	
8O	Plug (Y-Adapter)		32626	
8O	Repair Kit for 32618		32628	
8O	Repair Kit w/Y-Adapter		32629	
99	Carbide Insert/Lower Jaw (Knurl)		33116	
99	Carbide Inserts/Upper Jaw (Chisel Edge)		33117	
99	Die Key for 4-1/2" Station (Vipros Only) Auto Index		33357	
9B	Die Key for Octo 3-1/2" Station		33358	
	Sheet Sensor	8635270	33621	
	1/2" Die Holder	827106	33636	
	1-1/4" Lower Die Holder	827472	33637	
	2" Die Holder	827114	33638	
	3-1/2" Die Holder	6501969	33639	
	4-1/2" Die Holder	827123	33640	
	SP Spring	827018	33641	
	Punch (Striker)	6575875	33642	
	Back Up Plate	6575873	33643	
	Shear Plate	6048199	33644	
	Punch (Striker)	6593389	33645	
	Back Up Plate	6593386	33646	
	Punch (Striker)	6048195	33647	
	Back Up Plate	6048198	33648	
	Punch (Striker)	6043136	33649	
	Punch (Striker)	6810501	33650	
	Turret Bushing	480336	33651	



**NOTE:** Only numbered items are available;  
lettered items are shown for reference only.

## NEW STYLE – HYDRAULIC



DWG. NO.	DESCRIPTION	CAT. NO.	PRICE
0	Complete Assembly/Shear	32862	
0	Clamp Base Assembly/Carbide (Incl. #31, #38, #43, #45)	32865	
3	Clamp Lever (Steel 10mm)	32645	
4	Elbow	32721	
5	Hose, Hydraulic	32722	
7	Coupler Assembly USA Style	33164	
9	Bolt AH 6x100	32756	
11	Clamp Base Spring	32635	
21	Screw FH, Pkg of 10	32636	
27	Dove-Tail Clamp	32661	
28	Bolt	32662	
29	Dove-Tail Spring	32663	
30	Bolt	32664	
31	Clamp Base (Incl. #33)	32637	
32	Screw AH, Pkg of 10	33324	
33	Straight Pin & Set Screw	32638	
35	Straight Pin	32639	
36	Straight Pin	33161	
38	Clamper Extended Grip	32866	
43	Stopper Plate (Incl. #44)	32642	
44	Screw FH, 4x10 Pkg of 10	32643	
45	Lower Jaw/Shear/Sides	33013	
45	Lower Jaw/Shear/Middle	33014	
48	Screw, SH Pkg. of 10	33310	
51	Roller Cam/Head	32672	
99	.010 Shims Pkg of 10	32648	
99	.003 Shims Pkg of 10	32649	
99	.005 Shims Pkg of 10	32650	
99	Carbide Insert/Lower Jaw (Knurl)	33116	
99	Carbide Inserts/Upper Jaw (Chisel Edge)	33117	

**Local**  
Tel: 651-286-6001  
Fax: 651-286-5959

**Toll Free U.S.A. & Canada**  
Tel: 800-328-9646  
Fax: 800-222-0002

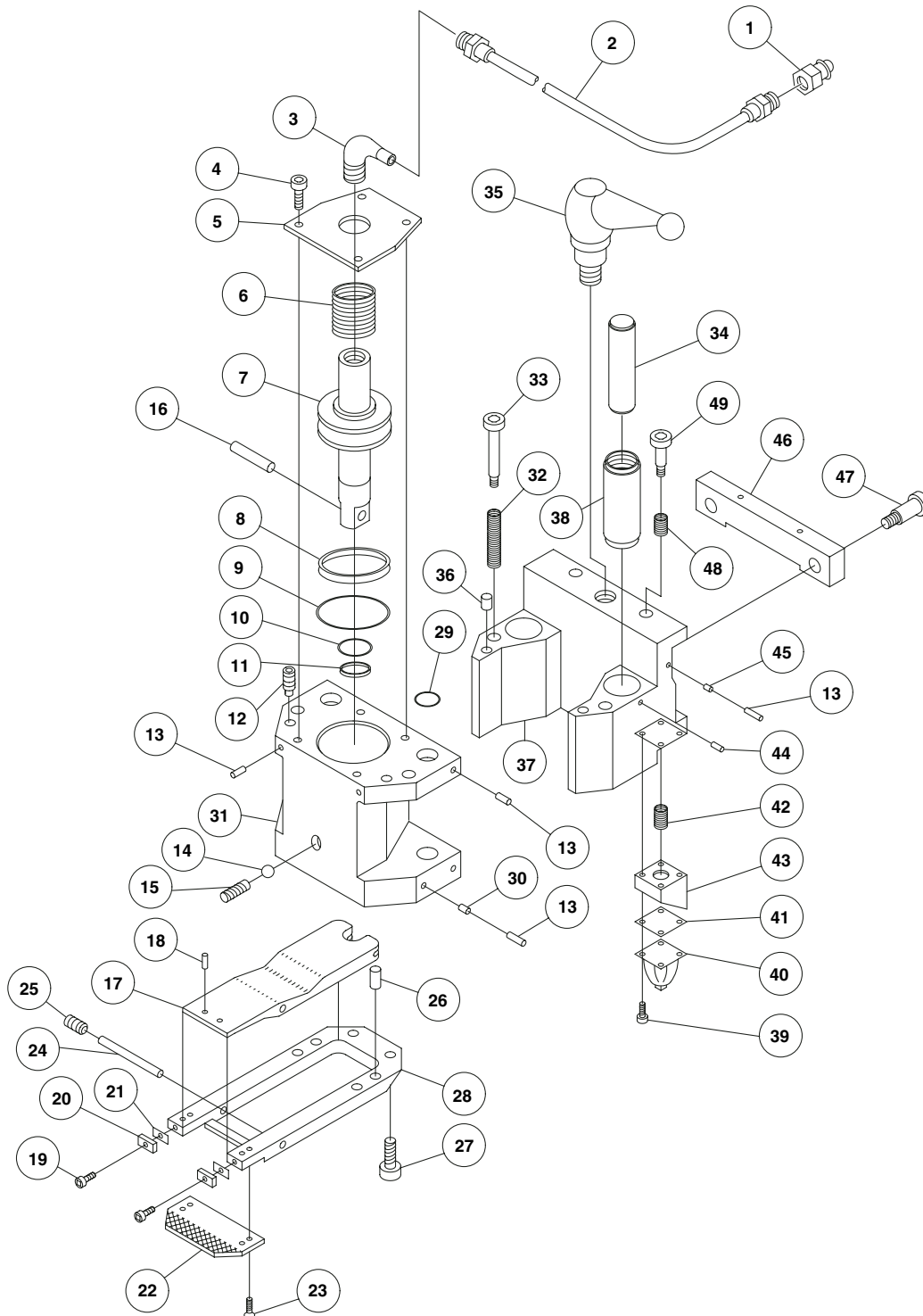
**Toll Free Mexico**  
Tel: 001-800-741-2510  
Fax: 001-800-544-2096

**Website & Email**  
www.wilsontool.com  
salesdesk@wilsontool.com



# COMA - VIPROS

## NEW STYLE - HYDRAULIC



DWG. #	DESCRIPTION	AMADA DWG. #	CAT. NO.	PRICE
0	Hydraulic Clamp Assembly	826190	33610	
0	Clamp Base Assembly		33619	
1	HSP Coupler (2HP 1/4")		33713	
2	Hydraulic Hose	827577	33714	
3	Elbow (LF - 2/SK=602)		33715	
4	Socket Head Cap Screw (M6 x 16)		6481	

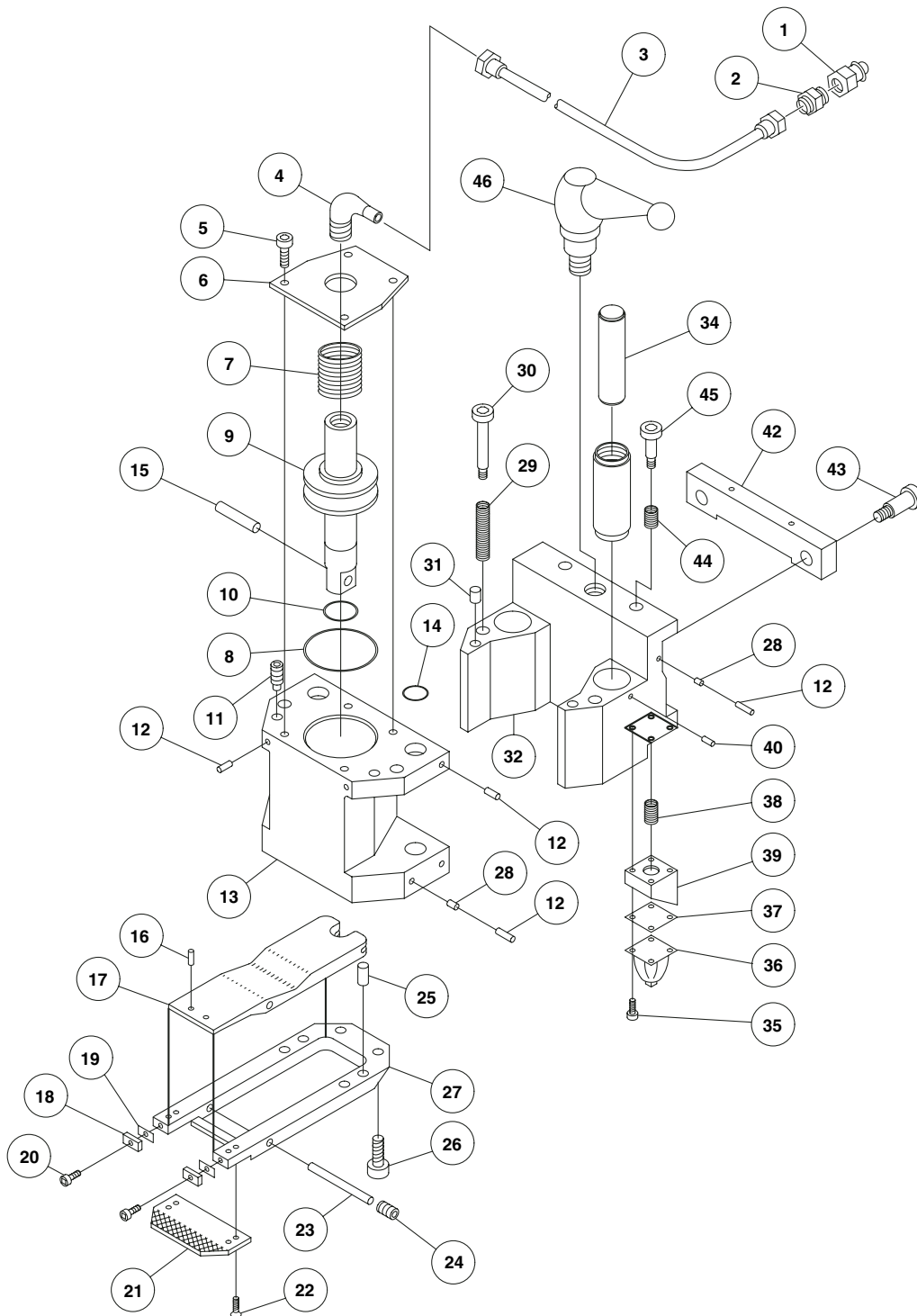
## NEW STYLE – HYDRAULIC



DWG. #	DESCRIPTION	AMADA DWG. #	CAT. NO.	PRICE
5	Cylinder Cap	826179	33614	
6	Return Spring	826047	33716	
7	Piston	826077	33612	
8	Back-up Ring (P32-T2)		33717	
9	O-Ring (P-32)		33718	
10	O-Ring (P-22)		33719	
11	Back-up Ring (P22-T2)		33720	
12	Set Screw (M10 x 14 dog end)		33702	
13	Set Screw (M6 x 6 cup end)		6406	
14	Steel Ball (#3/16)		8016	
15	Set Screw (M6 x 10)		33728	
16	Straight Pin (8m6 x 36)		33721	
17	Clamper	826194	33616	
18	Set Screw (M5 x 6 cup end)		33722	
19	Flat Head Screw - M4 x 10 - 10 pcs. (Stopper Plate)		33594	
20	Stopper Plate	816026	33593	
21	Shim (Stopper Plate) - .25mm (.010") - 10 pcs.		32648	
21	Shim (Stopper Plate) - .125mm (.005") - 10 pcs.		32650	
21	Shim (Stopper Plate) - .075mm (.003") - 10 pcs.		32649	
22	Clamp Plate	816025	33591	
22	Clamp Plate	826235	33609	
23	Flat Head Screw - M5 x 12 - 10 pcs. (Clamp Plate)		33592	
24	Straight Pin (8 x 63)		33620	
25	Socket Set Screw (M10 x 10)		33723	
26	Straight Pin (10m6 x 32) (with screw)		33724	
27	Socket Head Cap Screw (M8 x 20)		970418	
28	Clamp Base	826193	33615	
29	Snap Ring (STW-20)		33703	
30	Insert	806073	33706	
31	Cylinder	826191	33611	
32	Hanging Spring	826218	33602	
33	Cap Screw (M6 x 90)		33726	
34	Stroke Shaft	826187	33603	
35	Clamp Lever (KR10 x 20)		33597	
36	Cushion	806009	33605	
37	Clamp Housing	826181	33596	
38	Stroke Bearing	6010232	33604	
39	Cap Screw (M4 x 16)		6317	
40	Head	7932020	33617	
41	Spacer	826016	33708	
42	Spring	826015	33613	
43	Head Cover	826017	33709	
44	Set Screw (M4 x 4)		33710	
45	Insert	806073	33706	
46	Lock Plate	816004	33606	
47	Pressure Pin	816005	33607	
48	Release Spring	816007	33608	
49	Shoulder Bolt (STO 8 x 25)		33712	

# PEGA - VIPROS - ARIES 245

## NEW STYLE - AIR



DWG. #	DESCRIPTION	AMADA DWG. #	CAT. NO.	PRICE
0	Clamp Assembly	826180	33595	
0	Clamp Base Assembly		33585	
1	Coupler (plug) (20PF 1/4")		33696	



**Local**  
Tel: 651-286-6001  
Fax: 651-286-5959

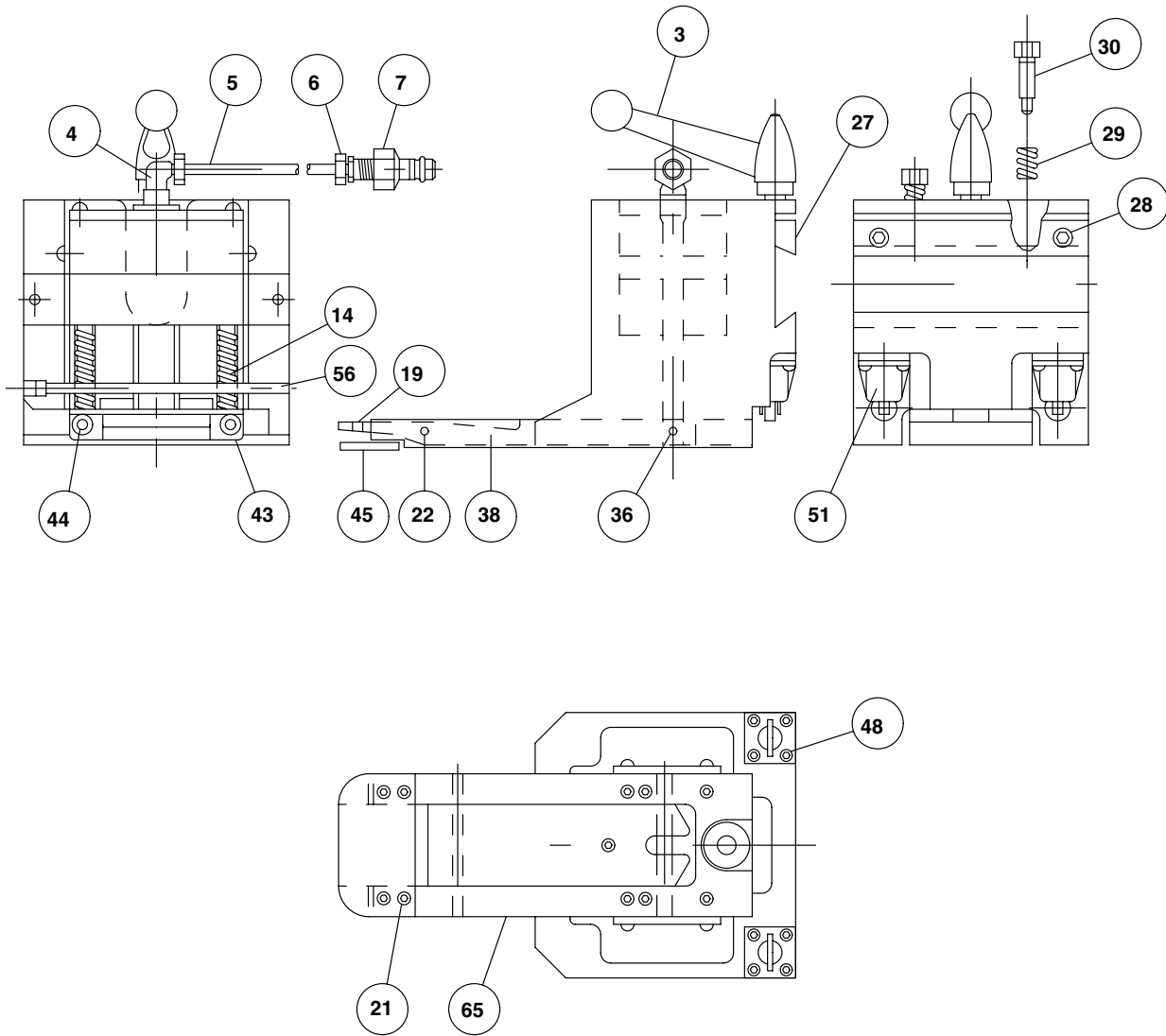
**Toll Free U.S.A. & Canada**  
Tel: 800-328-9646  
Fax: 800-222-0002

**Toll Free Mexico**  
Tel: 001-800-741-2510  
Fax: 001-800-544-2096

**Website & Email**  
www.wilsontool.com  
salesdesk@wilsontool.com



DWG. #	DESCRIPTION	AMADA DWG. #	CAT. NO.	PRICE
2	Nipple (A-6 x 4-PT 1/4" BS)		33697	
3	Tube (30-06 L=1m)		33698	
4	Elbow (B-6 x 4-PT 1/4" BS)		33699	
5	Socket Head Cap Screw (M6 x 16)		6481	
6	Cylinder Cover	826188	33601	
7	Spring	826005	33600	
8	O-Ring (P-50A)		33700	
9	Piston	826184	33599	
10	O-Ring (P-12)		33701	
11	Set Screw (M10 x 14 dog end)		33702	
12	Set Screw (M6 x 6 cup end)		6406	
13	Cylinder	826183	33598	
14	Snap Ring (STW-20)		33703	
15	Straight Pin (5m 6 x 36)		33704	
16	Set Screw	826186	33590	
17	Clamper	826226	33589	
18	Stopper Plate	816026	33593	
19	Shim (Stopper Plate) - .25mm (.010") - 10 pcs.		32648	
19	Shim (Stopper Plate) - .125mm (.005") - 10 pcs.		32650	
19	Shim (Stopper Plate) - .075mm (.003") - 10 pcs.		32649	
20	Flat Head Screw - M4 x 10 - 10 pcs. (Stopper Plate)		33594	
21	Clamp Plate	816025	33591	
21	Clamp Plate	826235	33609	
22	Flat Head Screw M5 x 12 - 10 pcs. - (Clamp Plate)		33592	
23	Straight Pin (6h7 x 63)		33587	
24	Socket Set Screw (M8 x 8 cone end)		33588	
25	Straight Pin (10m6 x 28 with screw)		33705	
26	Socket Head Cap Screw (M8 x 16)		24185	
27	Clamp Base	826189	33586	
28	Insert	806073	33706	
29	Hanging Spring	826218	33602	
30	Cap Screw (M6 x 85)		33726	
31	Cushion	806009	33605	
32	Clamp Housing	826181	33596	
33	Stroke Bearing	6010232	33604	
34	Stroke Shaft	826187	33603	
35	Cap Screw (M4 x 16)		6317	
36	Head	7932020	33617	
37	Spacer	826016	33708	
38	Spring	826015	33613	
39	Head Cover	826017	33709	
40	Set Screw (M4 x 4)		33710	
41	Insert	806073	33706	
42	Lock Plate	816004	33606	
43	Pressure Pin	816005	33607	
44	Release Spring	816006	33608	
45	Shoulder Bolt (STO 8 x 25)		33712	
46	Clamp Lever (KR10 x 20)		33597	



## OLD STYLE – PNEUMATIC



DWG. NO.	DESCRIPTION	CAT. NO.	PRICE
0	Complete Assembly/Carbide	32678	
0	Complete Assembly/Screw	32679	
0	Clamp Base Assembly/Carbide (Incl. #38, #43, #45, #65)	32681	
0	Clamp Base Assembly/Screw (Incl. #38, #43, #45, #65)	32682	
3	Clamp Lever (Steel 10mm)	32645	
4	Hose Assembly	32750	
4	Elbow	32751	
5	Flexible Tubing (3 foot/1 meter length)	32752	
6	Male Nipple	32753	
7	Coupler Assembly	32754	
7	Metric Coupler/Air	32755	
14	Bolt/Spring Assembly	32683	
19	Screw SS, Pkg of 10	32660	
21	Screw FH, Pkg of 10	32636	
22	Straight Pin	32684	
27	Dove-Tail Clamp	32661	
28	Bolt	32662	
29	Dove-Tail Spring	32663	
30	Bolt	32664	
36	Straight Pin/Set Screw	33010	
38	Clamper/Carbide (Incl. #36)	32685	
38	Clamper/Screw (Incl. #19, #36)	32686	
43	Stopper Plate (Incl. #44)	32642	
44	Screw FH, 4x10 Pkg of 10	32643	
45	Clamp Plate (Incl. #21)	32644	
45	Clamp Plate/Carbide (Incl. #21)	33012	
48	Screw, SH Pkg. of 10	33310	
51	Roller Cam/Head	32672	
56	Screw w/Set Screw	32688	
65	Clamp Base (Incl. #22)	32689	
99	Urethane Boot	32676	
99	.010 (0.25mm) Shims Pkg of 10	32648	
99	.003 (0.08mm) Shims Pkg of 10	32649	
99	.005 (0.13mm) Shims Pkg of 10	32650	
99	Carbide Insert/Lower Jaw (Knurl)	33116	
99	Carbide Inserts/Upper Jaw (Chisel Edge)	33117	

**NOTE:** Old style clamp bases have 6 bolts; new style have 4 bolts.

**Local**  
Tel: 651-286-6001  
Fax: 651-286-5959

**Toll Free U.S.A. & Canada**  
Tel: 800-328-9646  
Fax: 800-222-0002

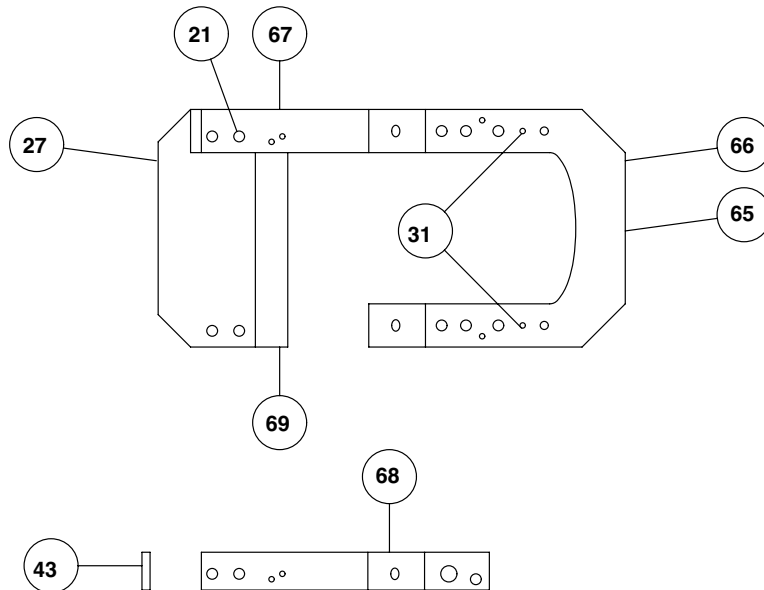
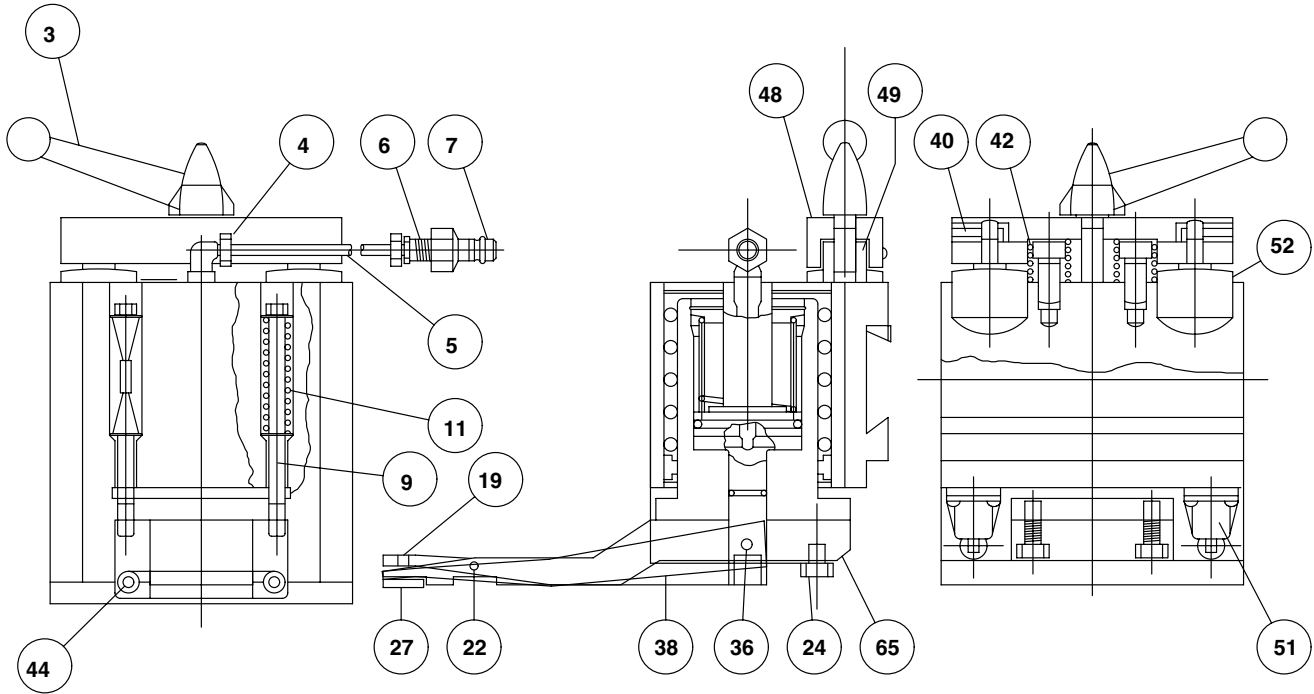
**Toll Free Mexico**  
Tel: 001-800-741-2510  
Fax: 001-800-544-2096

**Website & Email**  
www.wilsontool.com  
salesdesk@wilsontool.com



# LYLA - COMA - VELA

## OLD STYLE - THIN CLAMP - PNEUMATIC



## OLD STYLE - THIN CLAMP - PNEUMATIC



DWG. NO.	DESCRIPTION	CAT. NO.	PRICE
0	Complete Assembly/Carbide	32690	
0	Complete Assembly/Screw	32691	
0	Clamp Base Assembly/Carbide (Incl. #27, #38, #65, #43)	32692	
0	Clamp Base Assembly/Screw (Incl. #27, #38, #65, #43)	32693	
3	Clamp Lever (Steel 12mm)	33066	
4	Hose Assembly	32750	
4	Elbow	32751	
5	Flexible Tubing (3 foot/1 meter length)	32752	
6	Male Nipple	32753	
7	Coupler Assembly	32754	
7	Metric Coupler/Air	32755	
9	Bolt AH 6x100	32756	
11	Clamp Base Spring	32635	
19	Screw SS, Pkg of 10	32660	
21	Screw FH, Pkg of 10	32636	
22	Straight Pin	32684	
24	Under Plate	32695	
27	Clamp Plate (Incl. #21)	32696	
27	Clamp Plate/Carbide (Incl. #21)	32697	
31	Straight Pin (Locator)	32700	
36	Straight Pin	32733	
38	Clamper/Carbide	32701	
38	Clamper/Set Screw (Incl. #19)	32702	
40	Support Pad	32703	
42	Pressure Point Spring	32704	
43	Stopper Plate (Incl. #44)	32705	
44	Screw FH, 4x10 Pkg of 10	32643	
48	Pressure Plate	32706	
49	Auxiliary Plate	32707	
51	Roller Cam/Head	32672	
52	Locking Rod	32708	
65	Clamp Base (Incl. #22, #66, #67, #68, #69)	32709	
66	Body only for Clamp Base	32710	
67	Leg, R.H. for Clamp Base	32711	
68	Leg, L.H. for Clamp Base	32712	
69	Connection Bar	32766	
99	Urethane Boot	32676	
99	.010 (0.25mm) Shims Pkg of 10	32648	
99	.003 (0.08mm) Shims Pkg of 10	32649	
99	.005 (0.13mm) Shims Pkg of 10	32650	
99	Carbide Insert/Lower Jaw (Knurl)	33116	
99	Carbide Inserts/Upper Jaw (Chisel Edge)	33117	

**Local**  
Tel: 651-286-6001  
Fax: 651-286-5959

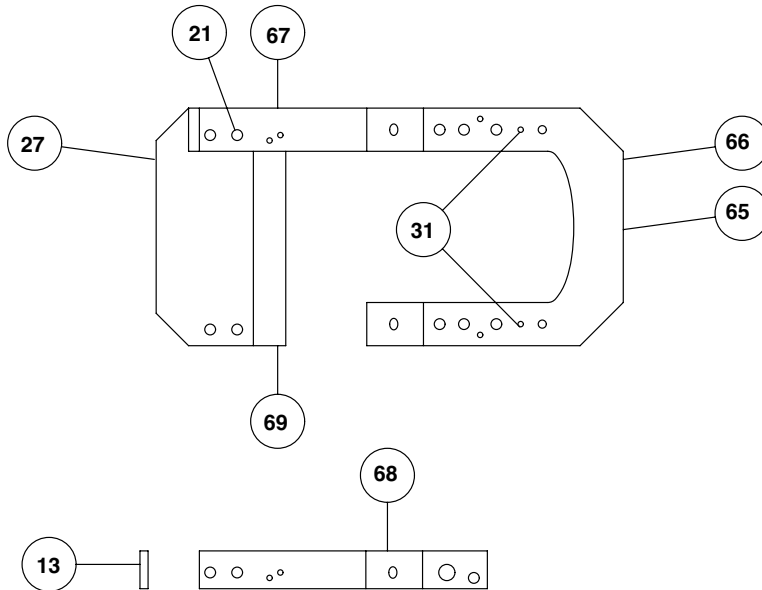
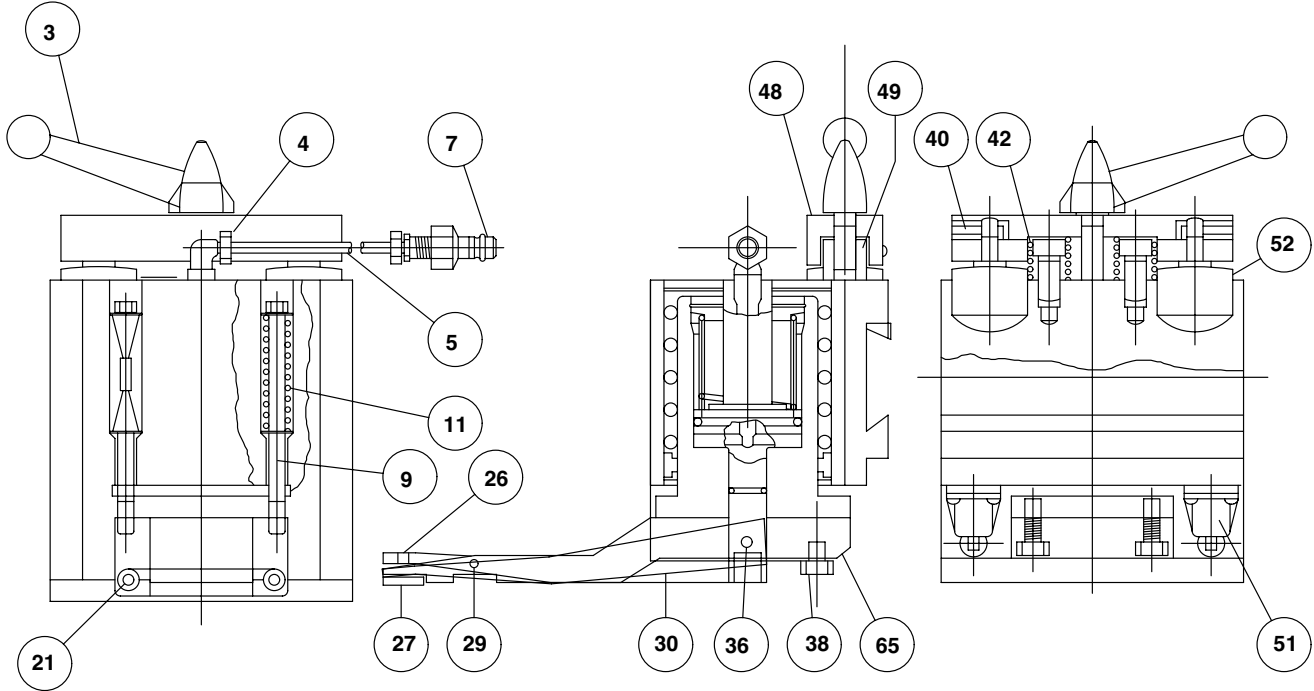
**Toll Free U.S.A. & Canada**  
Tel: 800-328-9646  
Fax: 800-222-0002

**Toll Free Mexico**  
Tel: 001-800-741-2510  
Fax: 001-800-544-2096

**Website & Email**  
www.wilsontool.com  
salesdesk@wilsontool.com



## OLD STYLE – THIN CLAMP – HYDRAULIC



## OLD STYLE – THIN CLAMP – HYDRAULIC



DWG. NO.	DESCRIPTION	CAT. NO.	PRICE
0	Complete Assembly/Carbide	32714	
0	Complete Assembly/Screw	32715	
0	Clamp Base Assembly/Carbide (Incl. #13, #27, #30, #65)	32717	
0	Clamp Base Assembly/Screw (Incl. #13, #27, #30, #65)	32718	
3	Clamp Lever (Steel 12mm)	33066	
4	Elbow	32721	
5	Hose, Hydraulic	32722	
7	Coupler Assembly USA Style	33164	
9	Bolt AH 6x100	32756	
11	Clamp Base Spring	32635	
13	Stopper Plate (Incl. #21)	32724	
21	Screw FH, Pkg of 10	32636	
26	Screw SS, Pkg of 10	33345	
27	Clamp Plate (Incl. #21)	32696	
27	Clamp Plate/Carbide (Incl. #21)	32697	
29	Straight Pin	32716	
30	Clamper/Carbide	32728	
30	Clamper/Set Screw (Incl. #26)	32729	
31	Straight Pin (Locator)	32700	
36	Straight Pin	33161	
38	Under Plate	32734	
40	Support Pad	32703	
42	Pressure Point Spring	32704	
48	Pressure Plate	32706	
49	Auxiliary Plate	32707	
51	Roller Cam/Head	32672	
52	Locking Rod	32708	
65	Clamp Base/Assembly Unit (Incl. #29, #66, #67, #68, #69)	32735	
65	Clamp Base/Heavy/One Pcs	33169	
66	Body only for Clamp Base	32737	
67	Leg, R.H. for Clamp Base	32738	
68	Leg, L.H. for Clamp Base	32739	
69	Connection Bar	32766	
99	Carbide Insert/Lower Jaw (Knurl)	33116	
99	Carbide Inserts/Upper Jaw (Chisel Edge)	33117	
99	.010 (0.25mm) Shims Pkg of 10	32740	
99	.003 (0.08mm) Shims Pkg of 10	32741	
99	.005 (0.13mm) Shims Pkg of 10	32742	
99	Urethane Boot	32743	

**Local**  
Tel: 651-286-6001  
Fax: 651-286-5959

**Toll Free U.S.A. & Canada**  
Tel: 800-328-9646  
Fax: 800-222-0002

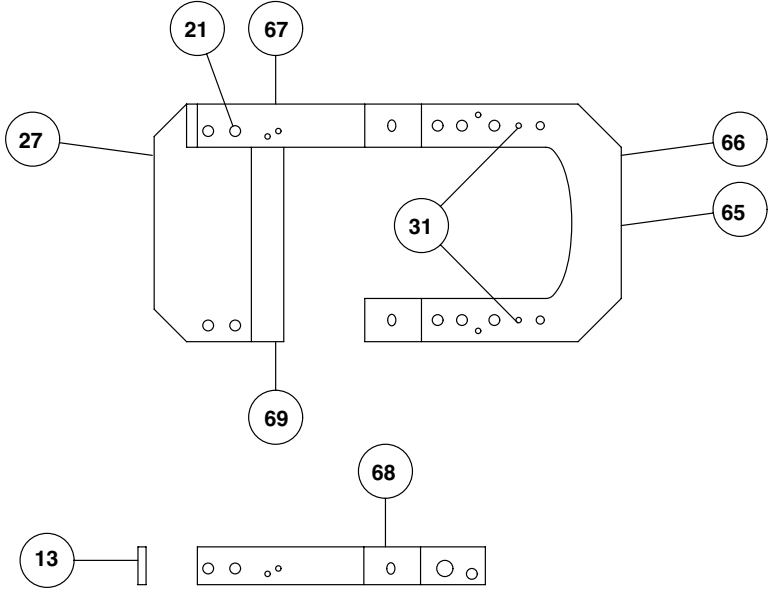
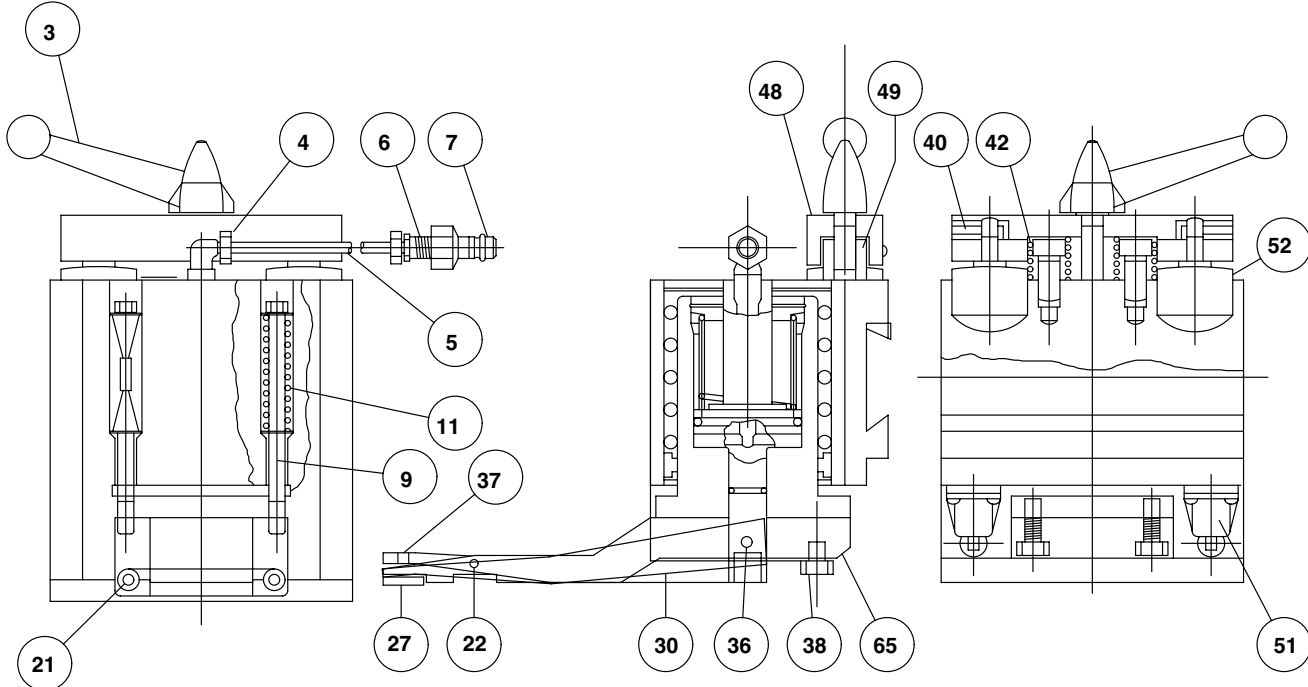
**Toll Free Mexico**  
Tel: 001-800-741-2510  
Fax: 001-800-544-2096

**Website & Email**  
www.wilsontool.com  
salesdesk@wilsontool.com



# VELA - COMA

## OLD STYLE - THICK CLAMP - THICK TURRET - PNEUMATIC



**Local**  
Tel: 651-286-6001  
Fax: 651-286-5959

**Toll Free U.S.A. & Canada**  
Tel: 800-328-9646  
Fax: 800-222-0002

**Toll Free Mexico**  
Tel: 001-800-741-2510  
Fax: 001-800-544-2096

**Website & Email**  
www.wilsontool.com  
salesdesk@wilsontool.com

## OLD STYLE – THICK CLAMP – THICK TURRET – PNEUMATIC



DWG. NO.	DESCRIPTION	CAT. NO.	PRICE
0	Complete Assembly/Carbide	32746	
0	Complete Assembly/Screw	32747	
0	Clamp Base Assembly/Carbide (Incl. #13, #27, #30, #65)	32748	
0	Clamp Base Assembly/Screw (Incl. #13, #27, #30, #65)	32749	
3	Clamp Lever (Steel 12mm)	33066	
4	Hose Assembly	32750	
4	Elbow	32751	
5	Flexible Tubing (3 foot/1 meter length)	32752	
6	Male Nipple	32753	
7	Coupler Assembly	32754	
7	Metric Coupler/Air	32755	
9	Bolt AH 6x100	32756	
11	Clamp Base Spring	32635	
13	Stopper Plate (Incl. #21)	32724	
21	Screw FH, Pkg of 10	32636	
22	Straight Pin	32684	
27	Clamp Plate (Incl. #21)	32696	
27	Clamp Plate/Carbide (Incl. #21)	32697	
30	Clamper/Carbide	32758	
30	Clamper/Carbide - 0.5	32759	
30	Clamper/Set Screw (Incl. #37)	32760	
31	Straight Pin (Locator)	32700	
36	Straight Pin	32733	
37	Screw SS, Pkg of 10	33346	
38	Under Plate	32761	
40	Support Pad	32703	
42	Pressure Point Spring	32704	
48	Pressure Plate	32706	
49	Auxiliary Plate	32707	
51	Roller Cam/Head	32672	
52	Locking Bar	32762	
65	Clamp Base/Assembly Unit (Incl. #22, #66, #67, #68, #69)	32763	
65	Clamp Base/Heavy/One Pcs	33184	
66	Body only for Clamp Base	32737	
67	Leg, R.H. for Clamp Base	32738	
68	Leg, L.H. for Clamp Base	32739	
69	Connection Bar	32766	
99	Carbide Insert/Lower Jaw (Knurl)	33116	
99	Carbide Inserts/Upper Jaw (Chisel Edge)	33117	
99	.010 (0.25mm) Shims Pkg of 10	32740	
99	.003 (0.08mm) Shims Pkg of 10	32741	
99	.005 (0.13mm) Shims Pkg of 10	32742	
99	Urethane Boot	32743	

**Local**  
Tel: 651-286-6001  
Fax: 651-286-5959

**Toll Free U.S.A. & Canada**  
Tel: 800-328-9646  
Fax: 800-222-0002

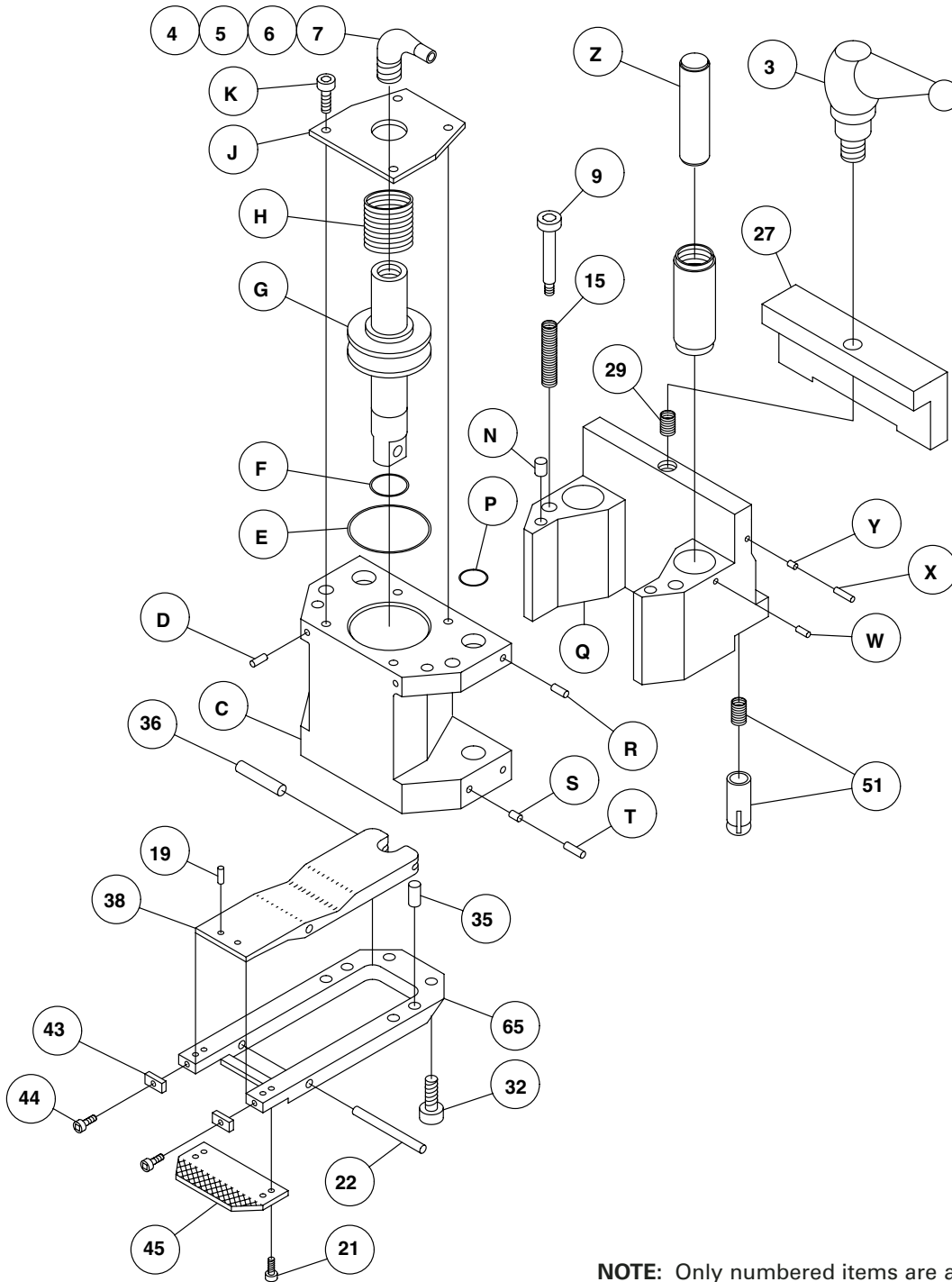
**Toll Free Mexico**  
Tel: 001-800-741-2510  
Fax: 001-800-544-2096

**Website & Email**  
www.wilsontool.com  
salesdesk@wilsontool.com



# OCTO

## PNEUMATIC



**NOTE:** Only numbered items are available;  
lettered items are shown for reference only.

## PNEUMATIC



DWG. NO.	DESCRIPTION	CAT. NO.	PRICE
0	Complete Assembly/Carbide	32767	
0	Complete Assembly/Screw	33220	
0	Clamp Base Assembly/Carbide (Incl. #38, #43, #45, #65)	32769	
0	Clamp Base Assembly (1/8 – 3/8) (Incl. #38, #43, #45, #65)	32770	
0	Clamp Base Assembly/Screw (Incl. #38, #43, #45, #65)	32771	
3	Clamp Lever (Steel 10mm)	32645	
4	Elbow	32751	
5	Flexible Tubing (3 foot/1 meter length)	32752	
6	Male Nipple	32753	
7	Coupler Assembly	32754	
7	Metric Coupler/Air	32755	
9	Bolt AH 6 x 90	33224	
15	Clamp Base Spring	32772	
19	Screw SS, Pkg of 10	32660	
21	Screw FH, Pkg of 10	32636	
22	Straight Pin	32684	
27	Dove-Tail Clamp	32773	
29	Dove-Tail Spring	33221	
35	Pin Stepped (8mm to 10mm)	32925	
35	Locator Pin	32774	
36	Straight Pin/Set Screw	33010	
38	Clamper/Carbide (Incl. #36)	32775	
38	Clamper/Set Screw (Incl. #19, #36)	32776	
43	Stopper Plate (Incl. #44)	32642	
44	Screw FH, 4x10 Pkg of 10	32643	
45	Clamp Plate (Incl. #21)	32644	
45	Clamp Plate/Carbide (Incl. #21)	33012	
51	Roller Cam Head	32777	
65	Clamp Base (Incl. #22)	32778	
65	Clamp Base (1/8 – 3/8)" (Incl. #22)	32779	
99	Urethane Boot	32676	
99	.010 (0.25mm) Shims Pkg of 10	32648	
99	.003 (0.08mm) Shims Pkg of 10	32649	
99	.005 (0.13mm) Shims Pkg of 10	32650	
99	Carbide Insert/Lower Jaw (Knurl)	33116	
99	Carbide Inserts/Upper Jaw (Chisel Edge)	33117	

**Local**  
Tel: 651-286-6001  
Fax: 651-286-5959

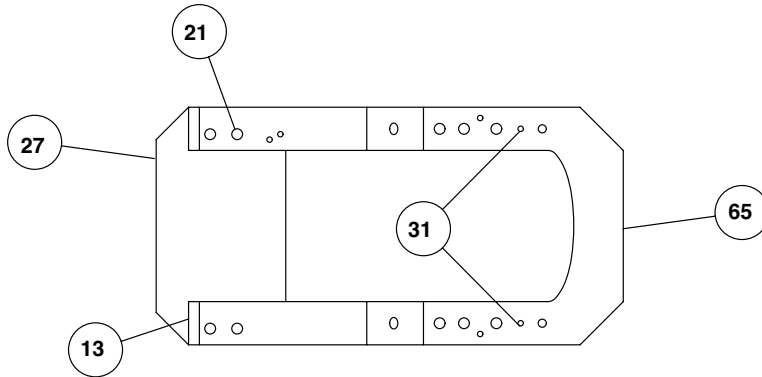
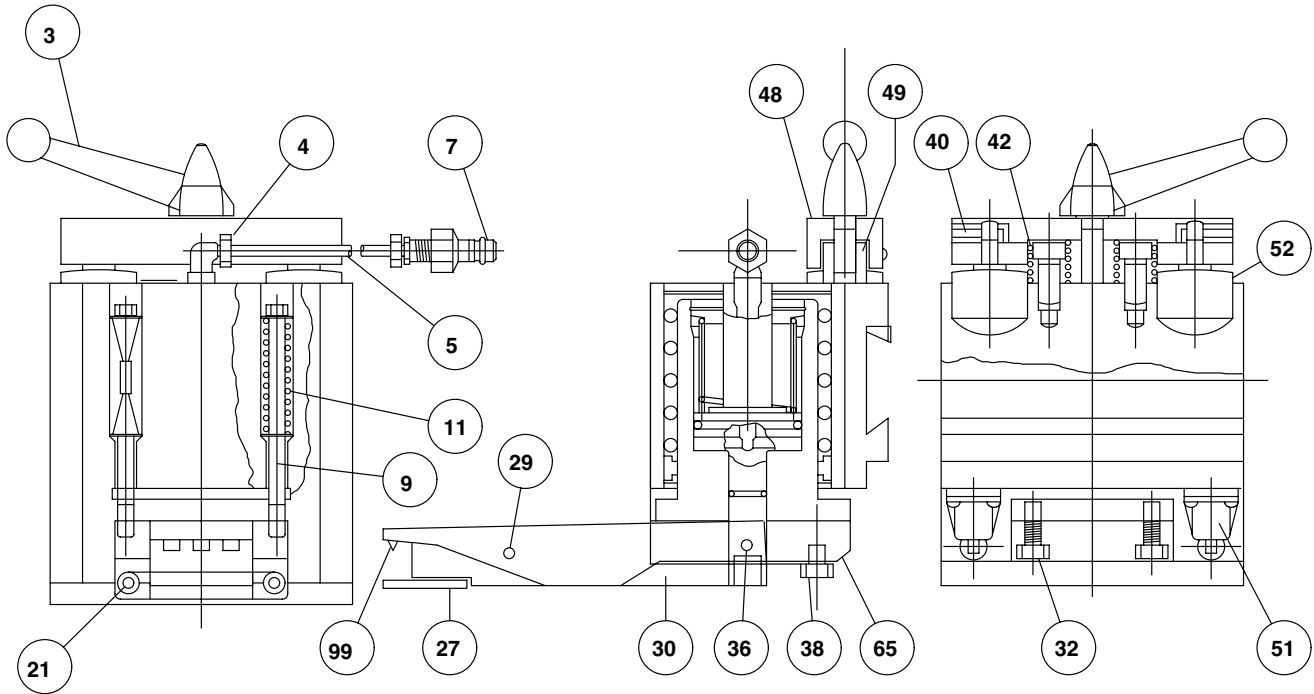
**Toll Free U.S.A. & Canada**  
Tel: 800-328-9646  
Fax: 800-222-0002

**Toll Free Mexico**  
Tel: 001-800-741-2510  
Fax: 001-800-544-2096

**Website & Email**  
www.wilsontool.com  
salesdesk@wilsontool.com



## OLD STYLE – THICK CLAMP – HYDRAULIC



## OLD STYLE – THICK CLAMP – HYDRAULIC



DWG. NO.	DESCRIPTION	CAT. NO.	PRICE
0	Complete Assembly/Carbide/Heavy 0 – 1/2	32719	
0	Clamp Base Assembly/Carbide/Heavy (Incl. #13, #27, #30, #65)	32720	
3	Clamp Lever/Steel 14mm	33361	
3	Hex Head Screw-only	33304	
4	Elbow	32721	
5	Hose, Hydraulic	32722	
7	Coupler Assembly USA Style	33164	
9	Bolt AH 6x100	32756	
11	Clamp Base Spring	32635	
13	Stopper Plate/Heavy (Incl. #21)	32725	
21	Screw FH, Pkg of 10	33340	
27	Clamp Plate/Heavy (Incl. #21)	32727	
29	Straight Pin	32680	
30	Clamper (1/4 – 1/2)	32732	
31	Straight Pin (Locator)	32700	
36	Straight Pin	33257	
38	Under Plate	32734	
40	Support Pad	32703	
42	Pressure Point Spring	32703	
48	Pressure Plate	33253	
49	Auxiliary Plate	33254	
51	Roller Cam/Head	32672	
52	Locking Rod	32708	
65	Clamp Base (1/4 – 1/2) (Incl. #29)	32736	
99	Carbide Insert/Lower Jaw (Knurl)	33116	
99	Carbide Inserts/Upper Jaw (Chisel Edge)	33117	

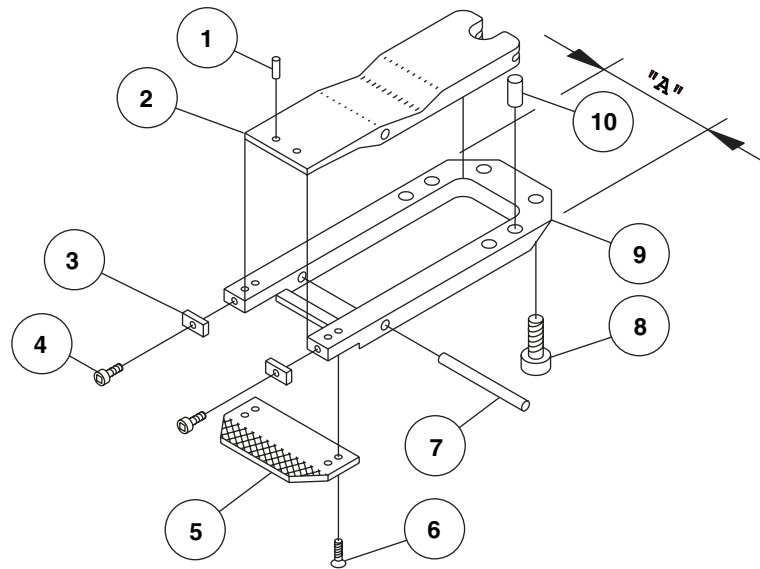
**Local**  
 Tel: 651-286-6001  
 Fax: 651-286-5959

**Toll Free U.S.A. & Canada**  
 Tel: 800-328-9646  
 Fax: 800-222-0002

**Toll Free Mexico**  
 Tel: 001-800-741-2510  
 Fax: 001-800-544-2096

**Website & Email**  
[www.wilsontool.com](http://www.wilsontool.com)  
[salesdesk@wilsontool.com](mailto:salesdesk@wilsontool.com)







DWG. #	DESCRIPTION	AMADA DWG. #	CAT. NO.	PRICE
0	Clamp Base Assembly		33622	
1	Set Screw	826186	33590	
2	Clamper	6043409	33624	
3	Stopper Plate	6043411	33626	
4	Flat Head Screw - M4 x 10 - 10 pcs. - (Stopper Plate)		33594	
5	Clamp Plate	6043410	33625	
6	Flat Head Screw - M5 x 12 - 10 pcs. - (Clamp Plate)		33592	
7	Straight Pin		33627	
8	Socket Head Cap Screw (M8 x 16)		24185	
9	Clamp Base	6043408	33623	
10	Straight Pin (10m6 x 28 with screw)		33705	

**Local**  
 Tel: 651-286-6001  
 Fax: 651-286-5959

**Toll Free U.S.A. & Canada**  
 Tel: 800-328-9646  
 Fax: 800-222-0002

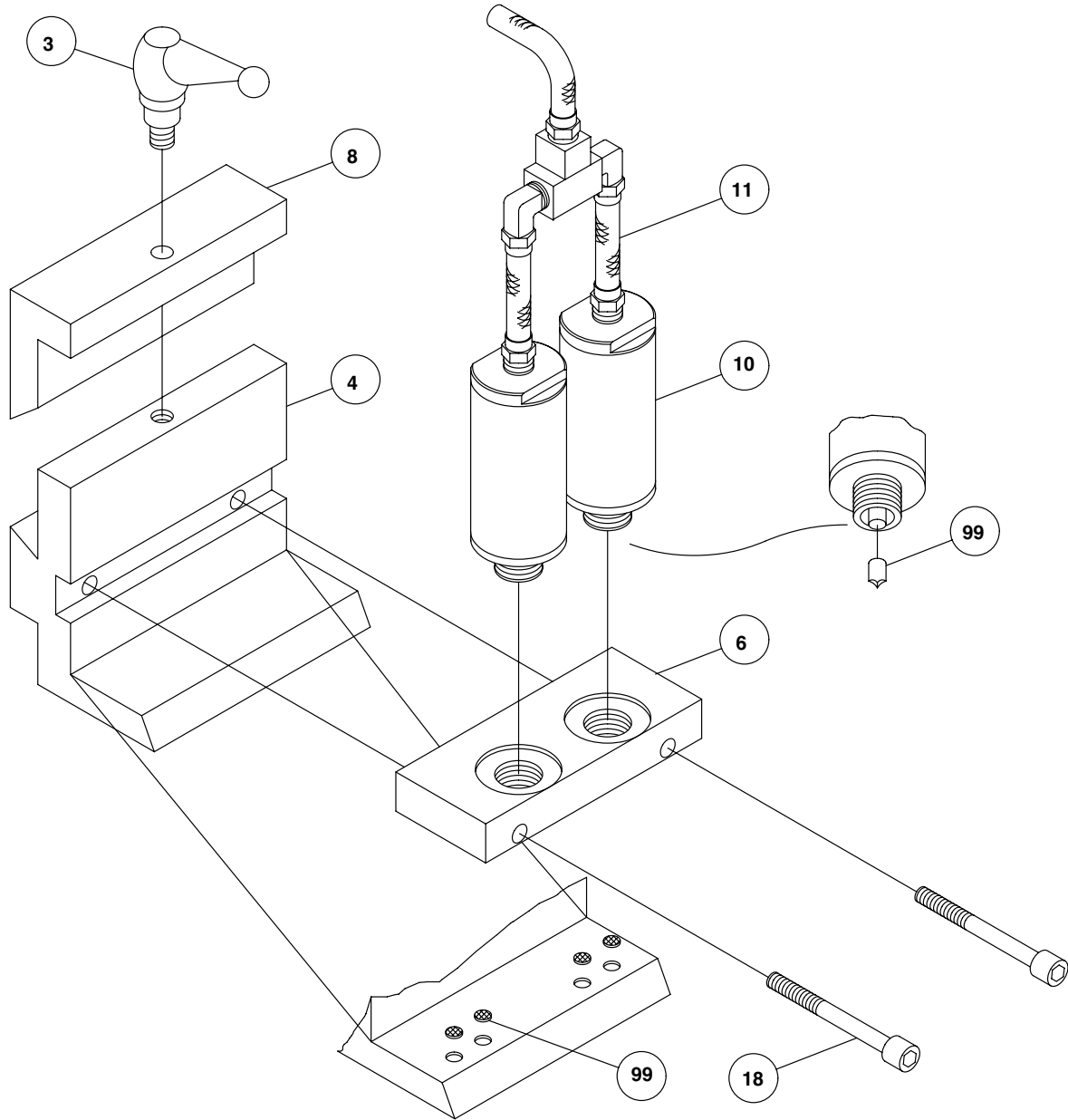
**Toll Free Mexico**  
 Tel: 001-800-741-2510  
 Fax: 001-800-544-2096

**Website & Email**  
[www.wilsontool.com](http://www.wilsontool.com)  
[salesdesk@wilsontool.com](mailto:salesdesk@wilsontool.com)



# COMA - PEGA - LYLA - VELA

## STUB LENGTH



**NOTE:** Sheet Gain Full 8.000/204 mill  
 Air - 32658  
 Hydraulic - 32634

## STUB LENGTH



DWG. NO.	DESCRIPTION	CAT. NO.	PRICE
0	Complete Assembly/Stubby Air	32658	
0	Complete Assembly/Stubby Hydraulic	32634	
0	Stubby Assembly/Laser Air	33307	
3	Clamp Lever (Steel 10mm)	32645	
4	Lower Unit	33167	
6	Upper Unit	33178	
8	Dove-Tail Clamp	33228	
10	Air Cylinder	33179	
10	Hydraulic Cylinder/Stubby	33205	
11	Air Hose Assembly	33011	
11	Hyd Hose Assembly/DbI/Minus Coupling	33166	
18	Screw AH, 3/8 X 2-3/8	33331	
99	Carbide Insert/Lower Jaw (Knurl)	33116	
99	Carbide Inserts/Upper Jaw (Chisel Edge)	33117	

**Local**  
 Tel: 651-286-6001  
 Fax: 651-286-5959

**Toll Free U.S.A. & Canada**  
 Tel: 800-328-9646  
 Fax: 800-222-0002

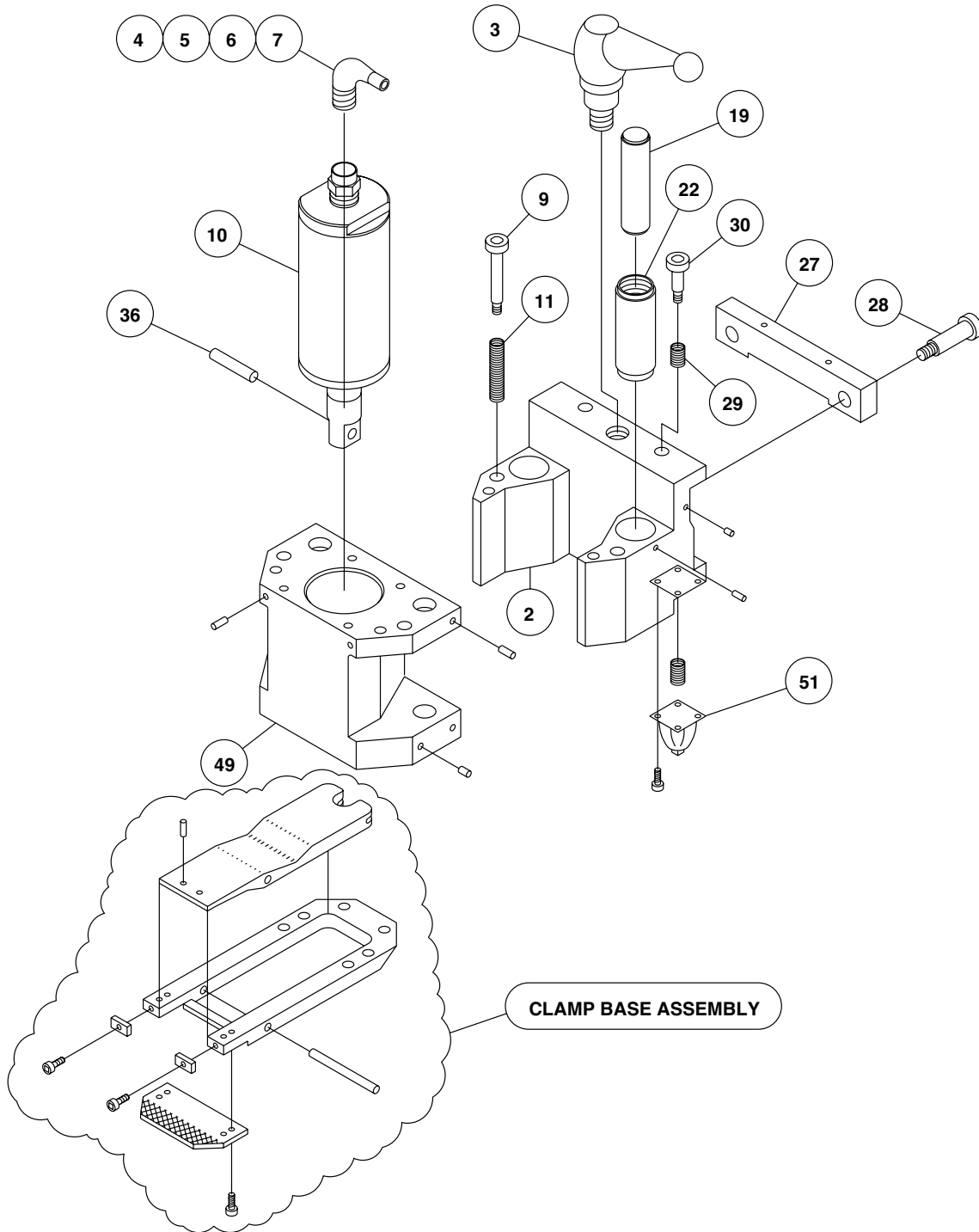
**Toll Free Mexico**  
 Tel: 001-800-741-2510  
 Fax: 001-800-544-2096

**Website & Email**  
[www.wilsontool.com](http://www.wilsontool.com)  
[salesdesk@wilsontool.com](mailto:salesdesk@wilsontool.com)



# AMERICAN STYLE - ALL MODELS

## AIR - HYDRAULIC



DWG. NO.	DESCRIPTION	CAT. NO.	PRICE
0	Complete Assembly/Carbide	32630	
0	Complete Assembly/Screw	32631	



**Local**  
Tel: 651-286-6001  
Fax: 651-286-5959

**Toll Free U.S.A. & Canada**  
Tel: 800-328-9646  
Fax: 800-222-0002

**Toll Free Mexico**  
Tel: 001-800-741-2510  
Fax: 001-800-544-2096

**Website & Email**  
www.wilsontool.com  
salesdesk@wilsontool.com

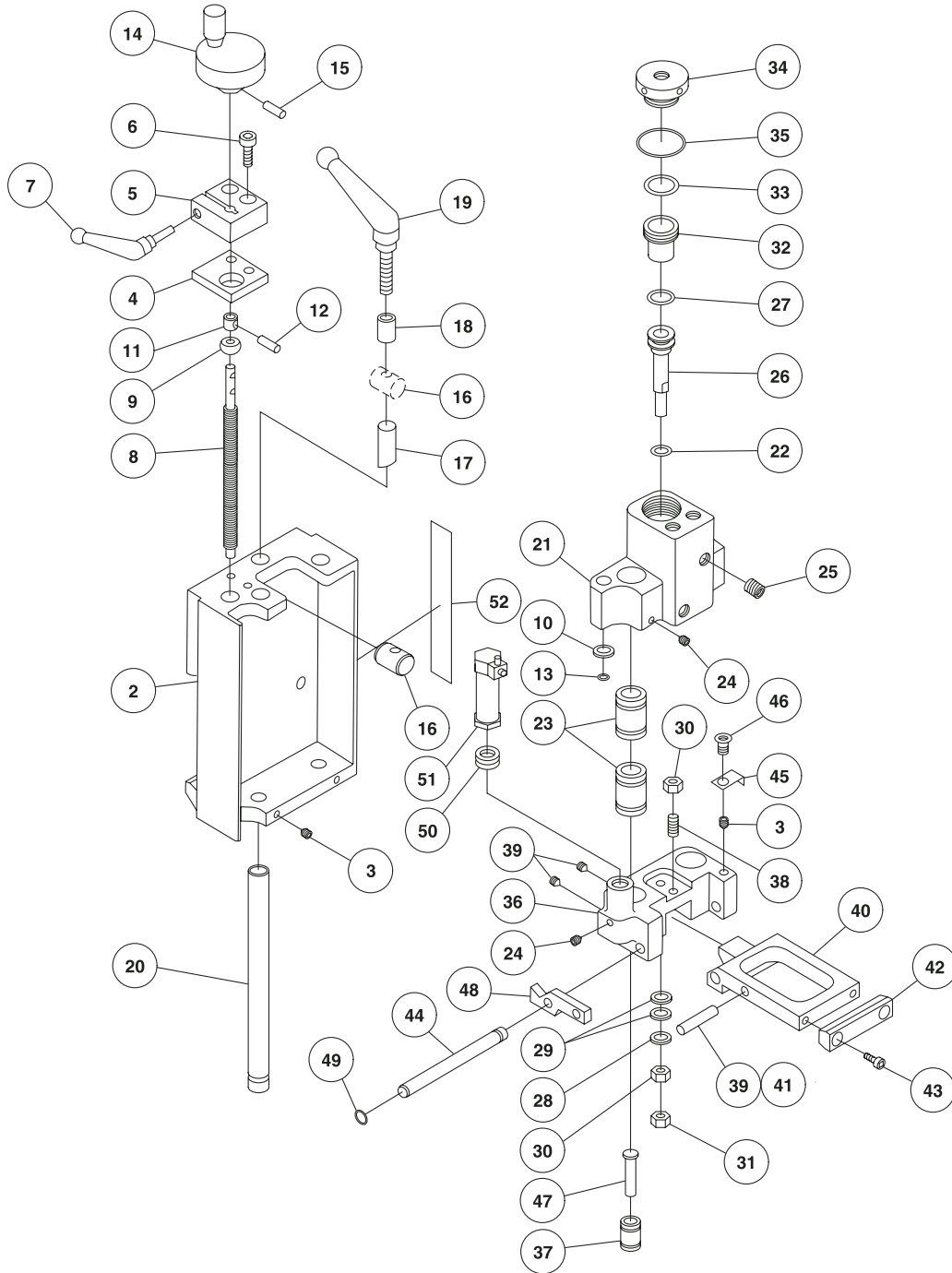
## AIR - HYDRAULIC



DWG. NO.	DESCRIPTION	CAT. NO.	PRICE
0	Complete Assembly/Carbide	32652	
0	Complete Assembly/Screw	32654	
0	Complete Assembly/Carbide	32678	
0	Complete Assembly/Screw	32679	
0	Complete Assembly/Carbide	32690	
0	Complete Assembly/Screw	32691	
0	Complete Assembly/Carbide	32714	
0	Complete Assembly/Screw	32715	
0	Complete Assembly/Carbide	32746	
0	Complete Assembly/Screw	32747	
0	Complete Assembly/Carbide	32767	
0	Complete Assembly/Screw	33220	
0	Complete Assembly/Carbide/Heavy 0 - 1/2	32719	
2	Hydraulic Clamp Housing	33159	
2	Clamp Housing	33181	
2	Clamp Housing	33222	
3	Clamp Lever (Steel 12mm)	33066	
4	Elbow/American Style	33162	
4	Elbow	32751	
5	Hose, Hydraulic	32722	
5	Hose, Hydraulic - Short	33163	
5	Flexible Tubing (3 foot/1 meter length)	32752	
6	Male Nipple	32753	
9	Bolt AH 6x100	32756	
10	Air Cylinder (new air style)	32924	
10	Hydraulic Cylinder (std.)	33160	
10	Air Cylinder (original style air-thick clamp)	33183	
10	Air Cylinder (Octo)	33225	
10	Hydraulic Cylinder (for heavy duty clamp)	33256	
11	Clamp Base Spring	32635	
19	Shaft (2 required - 1 per side)	33227	
22	Bearing/2 req per side (4 total)	33226	
27	Dove-Tail Clamp	32661	
27	Dove-Tail Clamp/Hyd	33158	
27	Dove-Tail Clamp	32773	
28	Bolt	32662	
29	Dove-Tail Spring	32663	
30	Bolt	32664	
49	Cylinder Housing	32863	
49	Cylinder Housing	32923	
49	Cylinder Housing	33009	
49	Cylinder Housing	33182	
49	Cylinder Housing	33223	
51	Roller Cam/Head	32672	
51	Roller Cam Head	32777	
99	Carbide Insert/Lower Jaw (Knurl)	33116	
99	Carbide Inserts/Upper Jaw (Chisel Edge)	33117	
99	Block	33165	

# WORK STOPPER ASSEMBLY

## FLIP UP - NC9EX



DWG. #	DESCRIPTION	AMADA DWG. #	CAT. NO.	PRICE
1	NC9EX Flip-Up Work Stopper Assembly	4128816	33689	
2	Body - USA	4128797	33664	
3	Set Screw (M6 x 10 Cone Point)		33728	
4	Bearing Retainer	4128798	33665	



**Local**  
Tel: 651-286-6001  
Fax: 651-286-5959

**Toll Free U.S.A. & Canada**  
Tel: 800-328-9646  
Fax: 800-222-0002

**Toll Free Mexico**  
Tel: 001-800-741-2510  
Fax: 001-800-544-2096

**Website & Email**  
www.wilsontool.com  
salesdesk@wilsontool.com

# WORK STOPPER ASSEMBLY

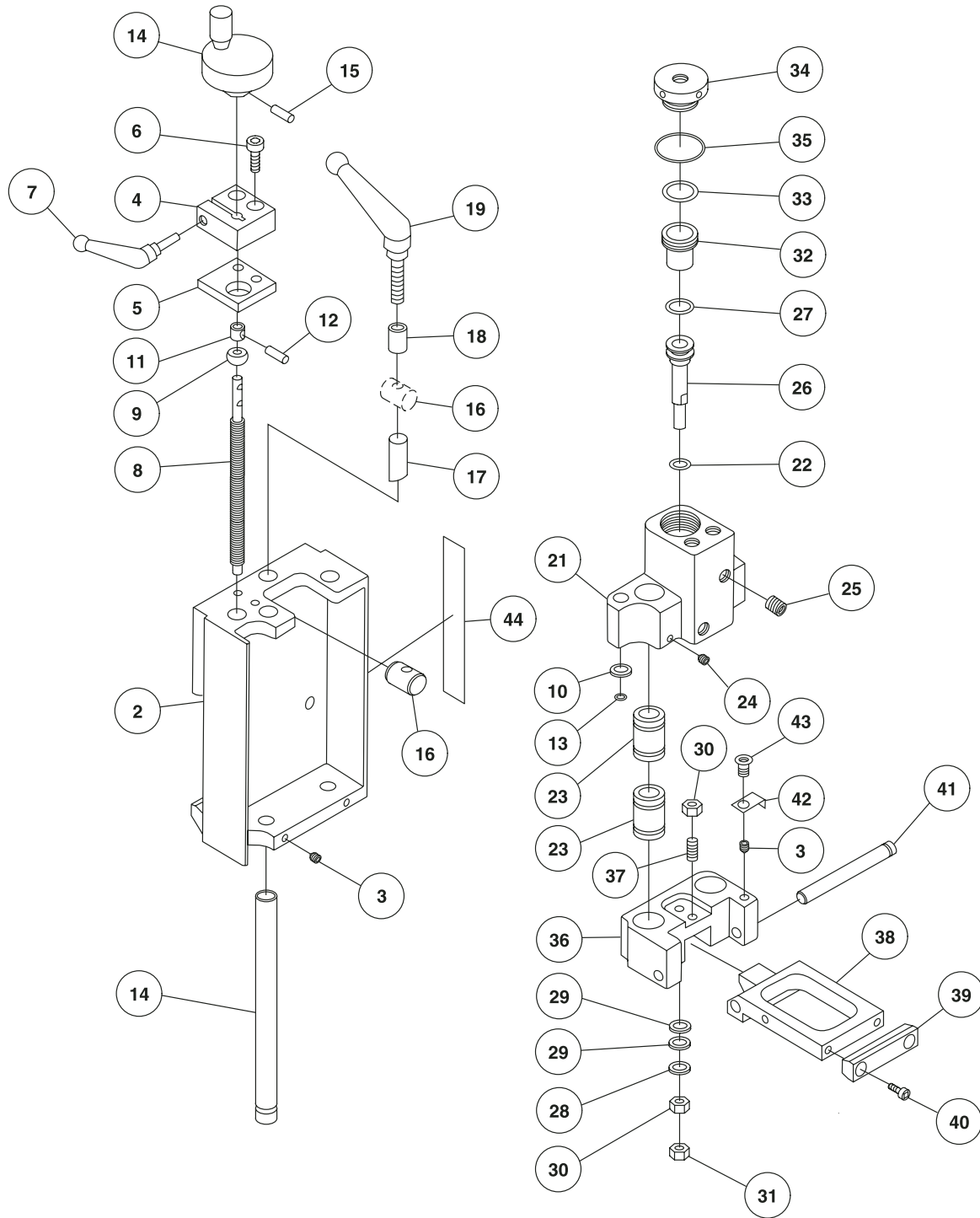
## FLIP UP - NC9EX



DWG. #	DESCRIPTION	AMADA DWG. #	CAT. NO.	PRICE
5	Bearing Case	4128799	33666	
6	Cap Screw (M6 x 25)		6416	
7	Clamp Lever (KR6 x 20)		33667	
8	Feed Screw	4128800	33668	
9	Spherical Shaft Support (NB6)		33669	
10	Collar	4128727	33670	
11	Collar	4128801	33671	
12	Spring Pin (Ø3 x 10)		33729	
13	Snap Ring (STW-6)		33730	
14	Hand Wheel	4128802	33672	
15	Spring Pin (Ø3 x 20)		33731	
16	Lock Nut	4128803	33673	
17	Lock Bar	4128804	33674	
18	Collar	4128805	33675	
19	Clamp Lever (KR8 x 40)		33676	
20	Guide Rod	7950004	33677	
21	Cylinder	4128806	33678	
22	O-Ring (1BP 10)		33732	
23	Linear Ball Bearing (LM13UU)		33679	
24	Set Screw (M4 x 6 Cone Point)		6208	
25	Plug (1/8")		33733	
26	Piston	4128807	33680	
27	O-Ring (1BP 14)		33734	
28	Washer (M6)		33735	
29	Spring Washer (M6 1L)		33736	
30	Nut (M6 Type 3)		33737	
31	Nut (M6 Type 1)		33738	
32	Piston	4128808	33681	
33	O-Ring (1BP 21)		33739	
34	Cap	4128809	33682	
35	O-Ring (S-28)		33740	
36	Holder	4128820	33744	
37	Linear Ball Bearing (LM6UU)		33691	
38	Set Screw (M6 x 15 Dog Point)		33741	
39	Spring Pin (Ø3.5 x 36)		33745	
40	Work Stopper	4128811	33684	
41	Spring Pin (Ø6 x 36)		33746	
42	Pad	4128812	33685	
43	Cap Screw (M6 x 10)		33742	
44	Pin	4129243	33692	
45	Pointer	4128814	33687	
46	Pan Head Machine Screw (M6 x 8)		33743	
47	Flip-Up Rod	4128818	33693	
48	Flip-Up Lever	4128819	33694	
49	Snap Ring (STW-8)		33747	
50	Shim	4129122	33748	
51	Cylinder (CTB15-01-30213)	7950002	33695	
52	Scale - Inch / mm	4129820	33688	

# WORK STOPPER ASSEMBLY

NC9EX



# WORK STOPPER ASSEMBLY

## NC9EX



DWG. #	DESCRIPTION	AMADA DWG. #	CAT. NO.	PRICE
1	NC9EX Work Stopper Assembly	4128796	33663	
2	Body - USA	4128797	33664	
3	Set Screw (M6 x 10 Cone Point)		33728	
4	Bearing Retainer	4128798	33665	
5	Bearing Case	4128799	33666	
6	Cap Screw (M6 x 25)		6416	
7	Clamp Lever (KR6 x 20)		33667	
8	Feed Screw	4128800	33668	
9	Spherical Shaft Support (NB6)		33669	
10	Collar	4128727	33670	
11	Collar	4128801	33671	
12	Spring Pin (Ø3 x 10)		33729	
13	Snap Ring (STW-6)		33730	
14	Hand Wheel	4128802	33672	
15	Spring Pin (Ø3 x 20)		33731	
16	Lock Nut	4128803	33673	
17	Lock Bar	4128804	33674	
18	Collar	4128805	33675	
19	Clamp Lever (KR8 x 40)		33676	
20	Guide Rod	7950004	33677	
21	Cylinder	4128806	33678	
22	O-Ring (1BP 10)		33732	
23	Linear Ball Bearing (LM13UU)		33679	
24	Set Screw (M4 x 6 Cone Point)		6208	
25	Plug (1/8")		33733	
26	Piston	4128807	33680	
27	O-Ring (1BP 14)		33734	
28	Washer (M6)		33735	
29	Spring Washer (M6 1L)		33736	
30	Nut (M6 Type 3)		33737	
31	Nut (M6 Type 1)		33738	
32	Piston	4128808	33681	
33	O-Ring (1BP 21)		33739	
34	Cap	4128809	33682	
35	O-Ring (S-28)		33740	
36	Holder	4128810	33683	
37	Set Screw (M6 x 15 Dog Point)		33741	
38	Work Stopper	4128811	33684	
39	Pad	4128812	33685	
40	Cap Screw (M6 x 10)		33742	
41	Pin	4128813	33686	
42	Pointer	4128814	33687	
43	Pan Head Machine Screw (M6 x 8)		33743	
44	Scale - Inch / mm	4129820	33688	

**Local**  
Tel: 651-286-6001  
Fax: 651-286-5959

**Toll Free U.S.A. & Canada**  
Tel: 800-328-9646  
Fax: 800-222-0002

**Toll Free Mexico**  
Tel: 001-800-741-2510  
Fax: 001-800-544-2096

**Website & Email**  
www.wilsontool.com  
salesdesk@wilsontool.com



Visit us at [www.wilsontool.com](http://www.wilsontool.com)

*"Our goal is to deliver the most reliable, innovative, durable, and consistent tools, such that our customers can be the most successful fabricators in the world."*

**Toll Free Order Desk**

U.S. & CANADA  
tel 1-800-328-9646  
fax 1-800-222-0002

MEXICO  
tel 001-800-741-2510  
fax 001-800-544-2096

BELGIUM  
tel 0032-14257474  
fax 0032-14257475

DENMARK  
tel 80 20 20 24  
fax 80 20 20 26

IRISH REPUBLIC  
tel 1-800-709009  
fax 1-800-535538

NORWAY  
tel 800 10809  
fax 800 10803

SWEDEN  
tel 020 79 14 19  
fax 020 79 14 18

FINLAND  
tel 09-3512569  
fax 09-3513769

or  
tel 06-4764300  
fax 06-4764301

FRANCE,  
SWITZERLAND  
tel 0800-90-8488  
fax 0800-90-8520

GERMANY, AUSTRIA,  
SWITZERLAND,  
THE NETHERLANDS  
tel 00800-9457668665  
fax 00800-945766329

The Amada name and its product names are registered trademarks of Amada America, Inc. and are not affiliated with Wilson Tool International, Inc.



**Xtra Tooling Division**  
12912 Farnham Avenue  
White Bear Lake, MN 55110

Tel (Free): 800-328-9646  
Fax (Free): 800-222-0002  
Email: [salesdesk@wilsontool.com](mailto:salesdesk@wilsontool.com)

## WILSON TOOL INTERNATIONAL

### **Wilson Tool International, Inc. United States**

12912 Farnham Avenue  
White Bear Lake, MN 55110 USA  
Tel (Free): 800-328-9646  
Tel: 651-286-6001  
Fax (Free): 800-222-0002  
Fax: 651-286-5959  
Email: [marketing@wilsontool.com](mailto:marketing@wilsontool.com)

### **Wilson Tool International, Ltd. United Kingdom**

Stirling Road, South Marston  
Industrial Estate, Swindon,  
Wiltshire, SN3 4TQ England  
Tel (Free): 0800-373748  
Tel: +44 1793 831818  
Fax (Free): 0800-373758  
Fax: +44 1793 831945 or 46  
Email: [sales@wilsontool.co.uk](mailto:sales@wilsontool.co.uk)

### **Wilson Tool International China LLC**

Rm 2F/C No.1076 Jiangning Road  
Shanghai 200060 China  
Tel: +86 21 62660958  
+86 21 62662396  
Fax: +86 21 62662364  
Email: [ldtool@guomai.sh.cn](mailto:ldtool@guomai.sh.cn)

### **Wilson Tool International Germany**

Gottlieb Daimler Str 2  
31552 Rodenberg, Germany  
Tel (Free): 00800-9457668665  
Tel: +49 5723 747 0  
Fax (Free): 00800-945766329  
Fax: +49 5723 747 10  
Email: [verkauf@wilsontool.eu.com](mailto:verkauf@wilsontool.eu.com)

### **Wilson Tool International A/S Denmark**

Islevdalvej 100  
DK-2610  
Roedovre, Denmark  
Tel (Free): +80 20 20 24  
Tel: +45 44 53 1699  
Fax (Free): +80 20 20 26  
Fax: +45 44 53 0607  
Email: [sales@wilsontool.dk](mailto:sales@wilsontool.dk)