



JANUARY 2005

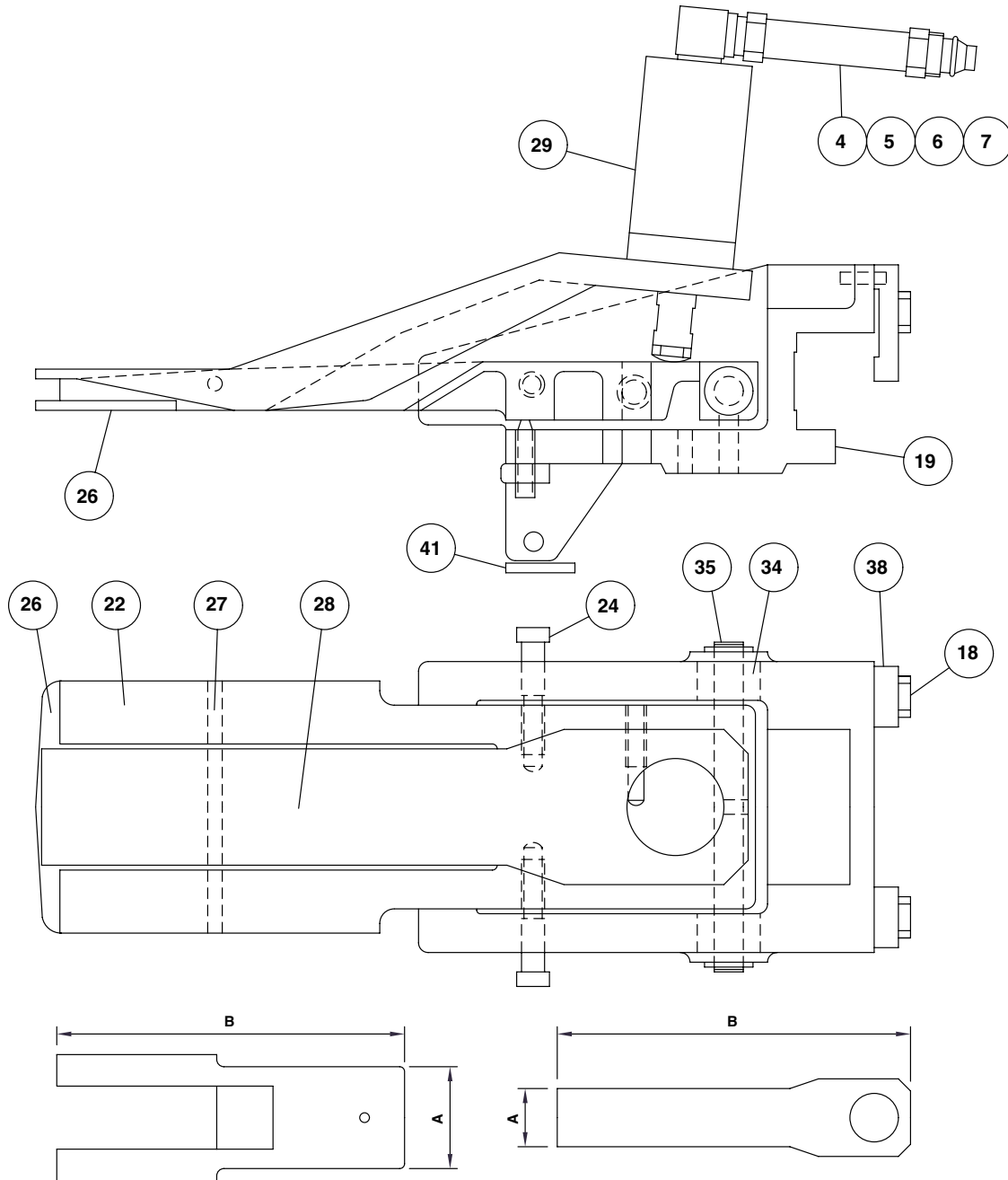
Behrens[®]

Replacement Clamp Assemblies



COMPONENT PARTS

VERSA 25, NC1518, NC2524, NC2532, NC40, B40, 20PLUS, 30PLUS



A	B	Part Number
2"	10.312"	32895
2"	9.312"	32896
2"	7.437"	33000
2"	8.437"	33001
2.75"	9.375"	33048
2.75"	10.375"	33049

A	B	Part Number
1.3"	11"	32897
1.3"	10.25"	32898
1.3"	7.75"	33002
1.3"	8.75"	33003
1.5"	9.5"	33051
1.5"	10.5"	33052

All Dimensions Are Approx. Size For Reference



Local
Tel: 651-286-6001
Fax: 651-286-5959

Toll Free U.S.A. & Canada
Tel: 800-328-9646
Fax: 800-222-0002

Toll Free Mexico
Tel: 001-800-741-2510
Fax: 001-800-544-2096

Website & Email
www.wilsontool.com
salesdesk@wilsontool.com

COMPONENT PARTS

VERSA 25, NC1518, NC2524, NC2532, NC40, B40, 20PLUS, 30PLUS



DWG. NO.	DESCRIPTION	CAT. NO.	PRICE
0	Complete Assembly	32891	
0	Complete Assembly	32892	
0	Complete Assembly	32995	
0	Complete Assembly	32996	
0	Complete Assembly	33037	
0	Complete Assembly	33038	
0	Complete Assembly Stubby	33047	
4	Hose Assembly	32750	
4	Elbow	32751	
4	Air Hose Assembly	33045	
5	Flexible Tubing	32752	
6	Male Nipple	32753	
7	Coupler Assembly	32754	
18	Bolt	33041	
19	Slide	32893	
19	Slide	32997	
19	Slide	33042	
22	Pivot Arm	32895	
22	Pivot Arm - New Style	32896	
22	Pivot Arm	33000	
22	Pivot Arm - New Style	33001	
22	Pivot Arm	33048	
22	Pivot Arm - New Style	33049	
22	Pivot Arm - Same as 33049 with replaceable wear tips	33050	
24	Spring	33039	
26	Lower Jaw (Knurled) (Includes Screws)	32887	
26	Lower Jaw (Knurled) (Includes Screws)	32992	
26	Lower Jaw (Knurled) (Includes Screws)	33031	
27	Pivot Pin	32894	
27	Pivot Pin	32998	
27	Pin, Pivot	33213	
28	Upper Jaw	32897	
28	Upper Jaw - New Style	32898	
28	Upper Jaw	33002	
28	Upper Jaw - New Style	33003	
28	Upper Jaw	33051	
28	Upper Jaw - New Style	33052	
29	Air Cylinder/New Style	32890	
29	Air Cylinder	32987	
29	Air Cylinder/Old Style	33036	
34	Bushing	33044	
35	Pivot Pin	32999	
35	Pivot pin	33043	
38	Clamp	33040	
99	Safety Cam	33046	
99	Wear Plates	33133	

Visit us at www.wilsontool.com

“Our goal is to deliver the most reliable, innovative, durable, and consistent tools, such that our customers can be the most successful fabricators in the world.”

Toll Free Order Desk

U.S. & CANADA
tel 1-800-328-9646
fax 1-800-222-0002

MEXICO
tel 001-800-741-2510
fax 001-800-544-2096

BELGIUM
tel 0032-14257474
fax 0032-14257475

DENMARK
tel 80 20 20 24
fax 80 20 20 26

IRISH REPUBLIC
tel 1-800-709009
fax 1-800-535538

NORWAY
tel 800 10809
fax 800 10803

SWEDEN
tel 020 79 14 19
fax 020 79 14 18

FINLAND
tel 09-3512569
fax 09-3513769

or
tel 06-4764300
fax 06-4764301

FRANCE,
SWITZERLAND
tel 0800-90-8488
fax 0800-90-8520

GERMANY, AUSTRIA,
SWITZERLAND,
THE NETHERLANDS
tel 00800-9457668665
fax 00800-945766329

The Behrens name and its product names are registered trademarks of C. Behrens Machinery Company Inc. and are not affiliated with Wilson Tool International, Inc.



Xtra Tooling Division
12912 Farnham Avenue
White Bear Lake, MN 55110

Tel (Free): 800-328-9646
Fax (Free): 800-222-0002
Email: salesdesk@wilsontool.com

WILSON TOOL INTERNATIONAL

Wilson Tool International, Inc. United States

12912 Farnham Avenue
White Bear Lake, MN 55110 USA
Tel (Free): 800-328-9646
Tel: 651-286-6001
Fax (Free): 800-222-0002
Fax: 651-286-5959
Email: marketing@wilsontool.com

Wilson Tool International, Ltd. United Kingdom

Stirling Road, South Marston
Industrial Estate, Swindon,
Wiltshire, SN3 4TQ England
Tel (Free): 0800-373748
Tel: +44 1793 831818
Fax (Free): 0800-373758
Fax: +44 1793 831945 or 46
Email: sales@wilsontool.co.uk

Wilson Tool International China LLC

Rm 2F/C No.1076 Jiangning Road
Shanghai 200060 China
Tel: +86 21 62660958
+86 21 62662396
Fax: +86 21 62662364
Email: ldtool@guomai.sh.cn

Wilson Tool International Germany

Gottlieb Daimler Str 2
31552 Rodenberg, Germany
Tel (Free): 00800-9457668665
Tel: +49 5723 747 0
Fax (Free): 00800-945766329
Fax: +49 5723 747 10
Email: verkauf@wilsontool.eu.com

Wilson Tool International A/S Denmark

Islevdalvej 100
DK-2610
Roedovre, Denmark
Tel (Free): +80 20 20 24
Tel: +45 44 53 1699
Fax (Free): +80 20 20 26
Fax: +45 44 53 0607
Email: sales@wilsontool.dk