



JANUARY 2005

Strippit[®]

Replacement Clamp Assemblies

TABLE OF CONTENTS



FC750, FC1000, FC1000 II, FC1000 III	1-2
FC1250, FC1500, (Strippit P/N 101986)	3-4
FC1250, (Strippit P/N 101377-000)	5-6
FC1500	7-8
FC1250S, FC1000S, FC1000H	9-10
1000R, 1000XP, 1000XT, 1250R	11-12
CAP 1000	13-14

Local

Tel: 651-286-6001
Fax: 651-286-5959

Toll Free U.S.A. & Canada

Tel: 800-328-9646
Fax: 800-222-0002

Toll Free Mexico

Tel: 001-800-741-2510
Fax: 001-800-544-2096

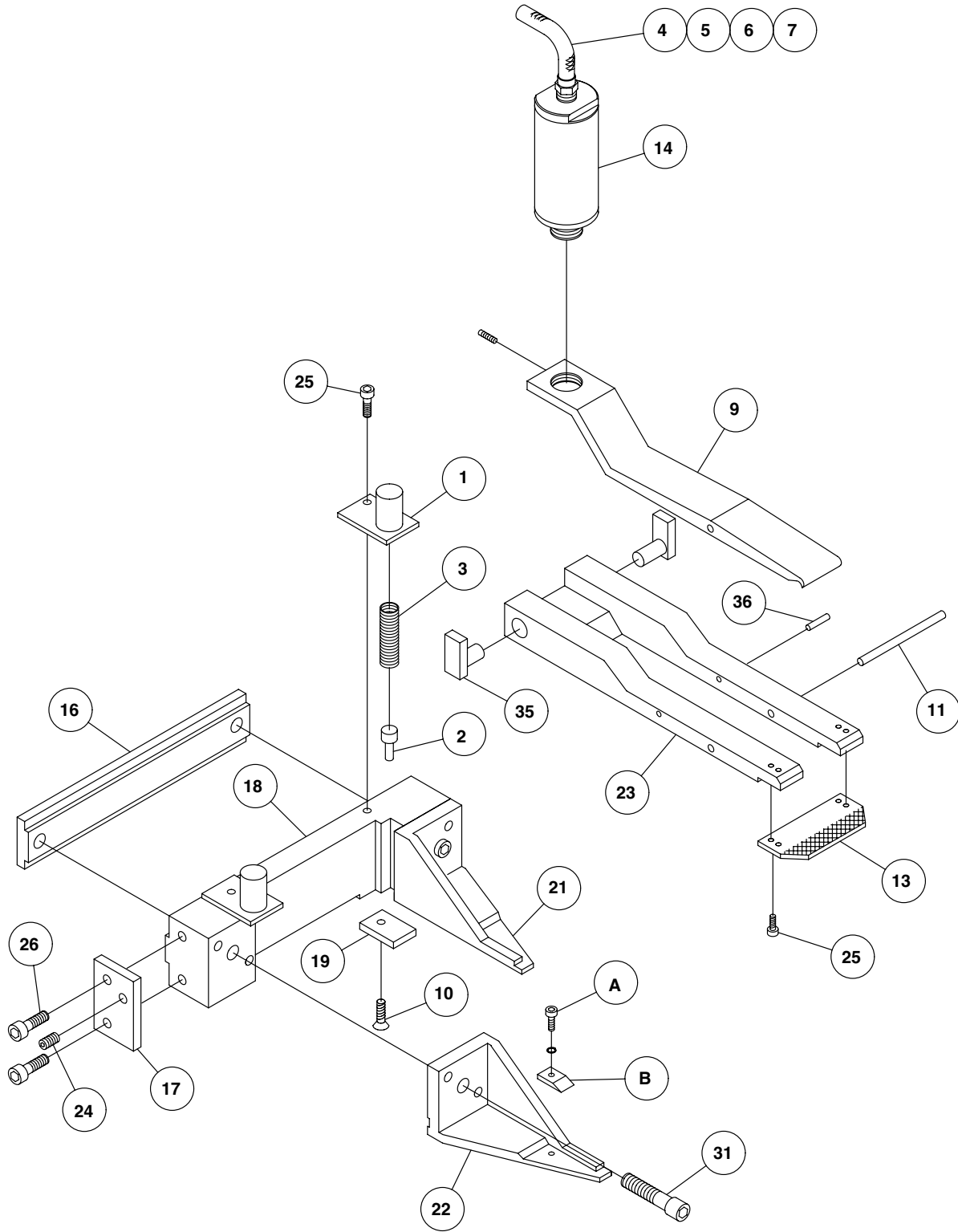
Website & Email

www.wilsontool.com
salesdesk@wilsontool.com



COMPONENT PARTS

FC750, FC1000, FC1000 II, FC1000 III



COMPONENT PARTS

FC750, FC1000, FC1000 II, FC1000 III



DWG. NO.	DESCRIPTION	CAT. NO.	PRICE
0	Complete Assembly	32931	
0	Complete Assembly-Doublewide	32932	
0	Stubby Assembly/Twin Cylinder	32942	
0	Stubby Assembly/Stripit	32943	
0	Jaw Pack (Incl. #23, #11, 32951, 32947)	32944	
0	Jaw Pack (Incl. #23, #11, 32951, 32948)	32945	
0	Jaw Pack (Incl. #23, #11, 32952, 32947)	32946	
1	Spring Well	33087	
2	Guide Pin	32872	
3	Spring	33088	
4	Hose Assembly	32750	
4	Elbow	32751	
5	Flexible Tubing	32752	
6	Male Nipple	32753	
7	Coupler Assembly	32754	
9	Upper Jaw (Carbide Edge)	32951	
9	Upper Jaw (Knife Edge)	32952	
10	Screw FH, Pkg of 10	33338	
11	Dowel	32939	
13	Lower Jaw (Knurl Edge)	32947	
13	Lower Jaw (Carbide Edge)	32948	
13	Lower Jaw (Heavy Duty Knurl)	32949	
14	Air Cylinder	33102	
16	Clamp Bar	32933	
17	Adjustment Assembly	32934	
18	Support	32936	
19	Pivot Stop Plate	32937	
21	R/H Guide Arm	32938	
22	L/H Guide Arm	32935	
23	Clamp Body	32950	
24	Screw SS, Pkg of 10	33353	
25	Screw FH, Pkg of 10	33336	
26	Screw AH, Pkg of 10	33326	
31	Screw AH, Pkg of 10	33328	
35	Pivot Pin	33104	
36	Pin Rp, Pkg of 10	32941	
99	Carbide Insert/Lower Jaw (Knurl)	33116	
99	Carbide Inserts/Upper Jaw (Chisel Edge)	33117	

Local
Tel: 651-286-6001
Fax: 651-286-5959

Toll Free U.S.A. & Canada
Tel: 800-328-9646
Fax: 800-222-0002

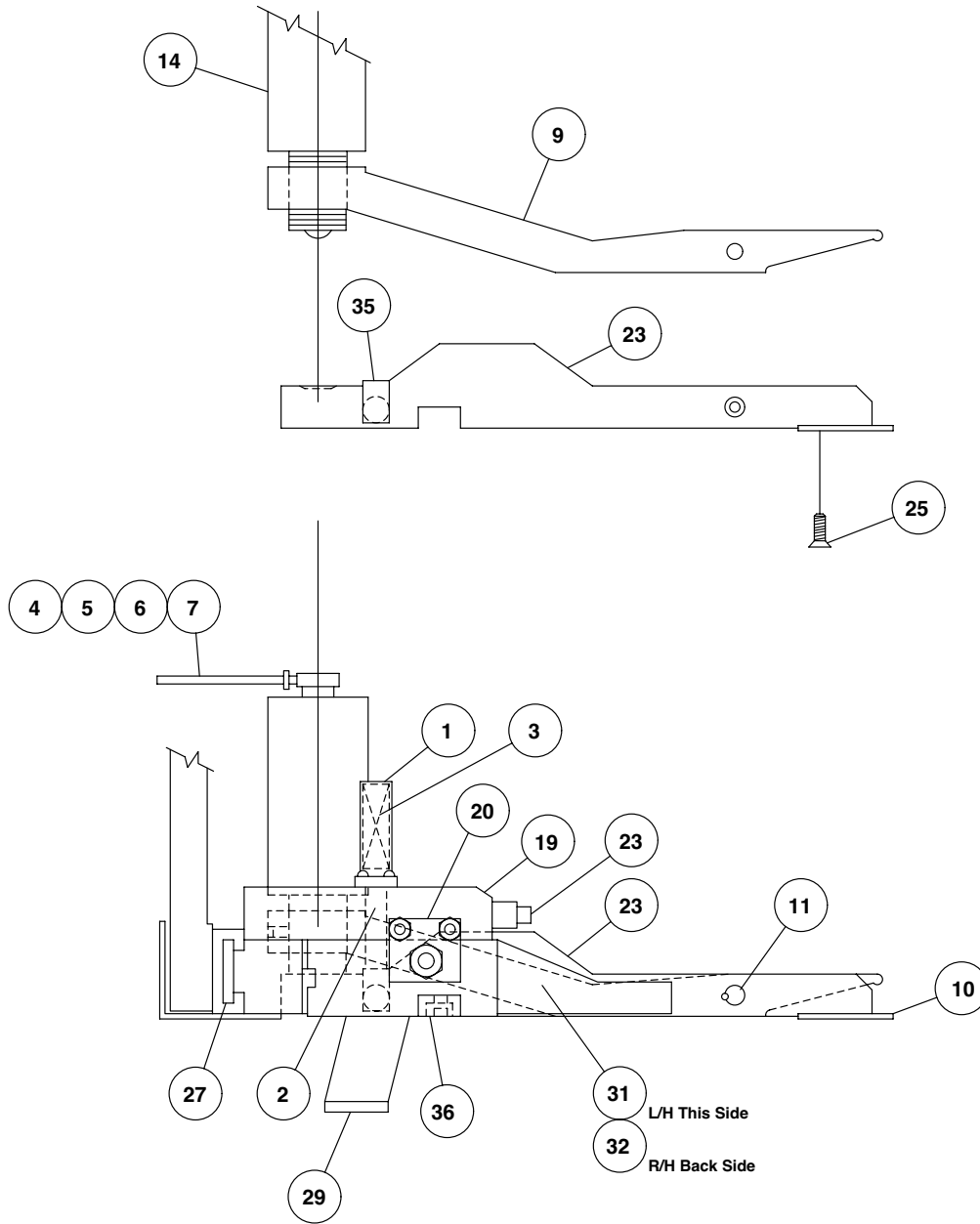
Toll Free Mexico
Tel: 001-800-741-2510
Fax: 001-800-544-2096

Website & Email
www.wilsontool.com
salesdesk@wilsontool.com



COMPONENT PARTS

FC1250, FC1500, (STRIPPIT® P/N 101986)



COMPONENT PARTS

FC1250, FC1500, (STRIPPIT® P/N 101986)



DWG. NO.	DESCRIPTION	CAT. NO.	PRICE
0	Stubby* Assembly/Twin Cylinder	32942	
0	Stubby* Assembly/Strippit	32943	
0	Complete Assembly	33086	
0	Jaw Pack (Incl. #23, #11, 33114, 33110)	33107	
0	Jaw Pack (Incl. #23, #11, 33114, 33111)	33108	
0	Jaw Pack (Incl. #23, #11, 33115, 33110)	33109	
1	Spring Well	33087	
2	Guide Pin	33089	
3	Spring	33088	
4	Hose Assembly	32750	
4	Elbow	32751	
5	Flexible Tubing	32752	
6	Male Nipple	32753	
7	Coupler Assembly	32754	
9	Upper Jaw (Carbide Edge)	33114	
9	Upper Jaw (Knife Edge)	33115	
10	Lower Jaw (Knurl Edge)	33110	
10	Lower Jaw (Carbide Edge)	33111	
10	Heavy Duty Lower Jaw	33112	
11	Eccentric Pin	33101	
14	Air Cylinder	33102	
19	Support	33097	
20	Adjustment Assembly	33092	
23	Clamp Body	33113	
24	Stop Bar	33105	
25	Screw FH, Pkg of 10	33336	
27	Clamp Bar	33091	
29	Pivot Stop Plate	33098	
31	L/H Guide Arm	33094	
32	R/H Guide Arm	33100	
35	Pivot Pin	33104	
36	Level Bar	33106	
99	Carbide Insert/Lower Jaw (Knurl)	33116	
99	Carbide Inserts/Upper Jaw (Chisel Edge)	33117	

*8" (203mm) shorter than standard

Local
Tel: 651-286-6001
Fax: 651-286-5959

Toll Free U.S.A. & Canada
Tel: 800-328-9646
Fax: 800-222-0002

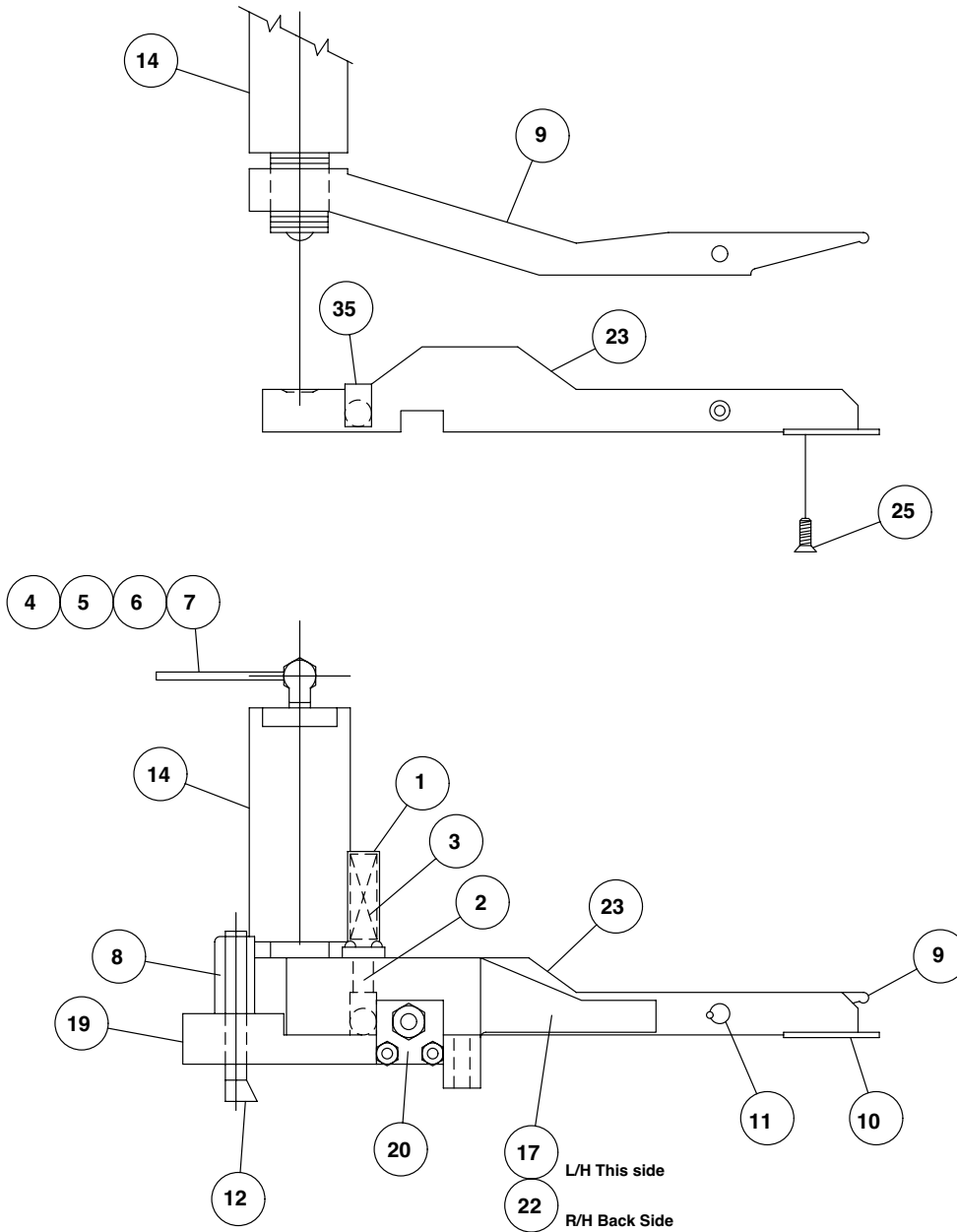
Toll Free Mexico
Tel: 001-800-741-2510
Fax: 001-800-544-2096

Website & Email
www.wilsontool.com
salesdesk@wilsontool.com



COMPONENT PARTS

FC1250, (STRIPPIT® P/N 101377-000)



COMPONENT PARTS

FC1250, (STRIPPIT® P/N 101377-000)



DWG. NO.	DESCRIPTION	CAT. NO.	PRICE
0	Stubby* Assembly/Twin Cylinder	32942	
0	Stubby* Assembly/Strippit	32943	
0	Adaptor Plate Kit	33084	
0	Complete Assembly	33085	
0	Jaw Pack (Incl. #23, #11, 33114, 33110)	33107	
0	Jaw Pack (Incl. #23, #11, 33114, 33111)	33108	
0	Jaw Pack (Incl. #23, #11, 33115, 33110)	33109	
1	Spring Well	33087	
2	Guide Pin	32872	
3	Spring	33088	
4	Hose Assembly	32750	
4	Elbow	32751	
5	Flexible Tubing	32752	
6	Male Nipple	32753	
7	Coupler Assembly	32754	
8	Nut	33090	
9	Upper Jaw (Carbide Edge)	33114	
9	Upper Jaw (Knife Edge)	33115	
10	Lower Jaw (Knurl Edge)	33110	
10	Lower Jaw (Carbide Edge)	33111	
10	Heavy Duty Lower Jaw	33112	
11	Eccentric Pin	33101	
12	Bolt	33095	
14	Air Cylinder	33102	
17	L/H Guide Arm	33093	
19	Support	33096	
20	Adjustment Assembly	33092	
22	R/H Guide Arm	33099	
23	Clamp Body	33113	
25	Screw FH, Pkg of 10	33336	
35	Pivot Pin	33103	
99	Carbide Insert/Lower Jaw (Knurl)	33116	
99	Carbide Inserts/Upper Jaw (Chisel Edge)	33117	

*8" (203mm) shorter than standard

Local
Tel: 651-286-6001
Fax: 651-286-5959

Toll Free U.S.A. & Canada
Tel: 800-328-9646
Fax: 800-222-0002

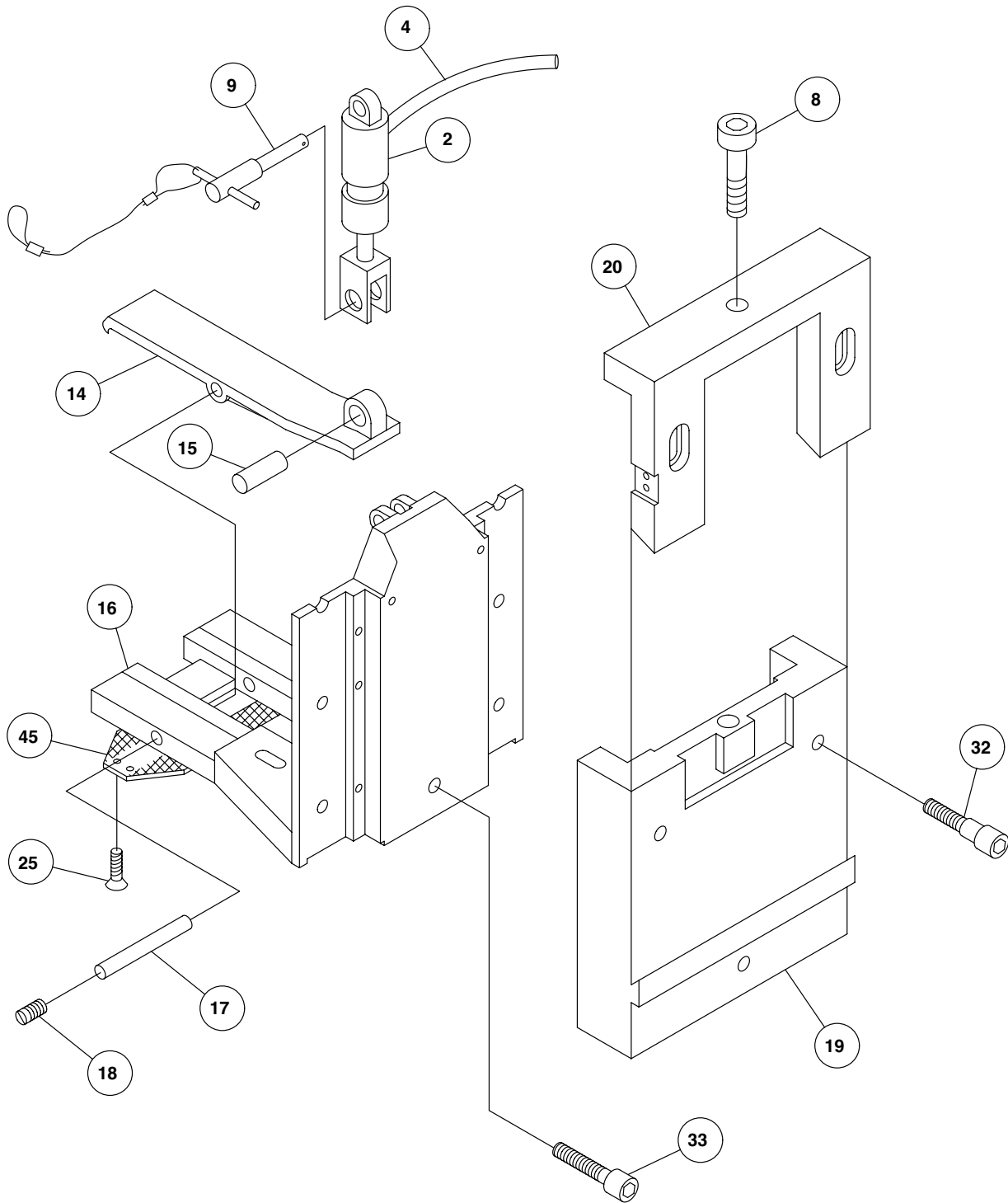
Toll Free Mexico
Tel: 001-800-741-2510
Fax: 001-800-544-2096

Website & Email
www.wilsontool.com
salesdesk@wilsontool.com



COMPONENT PARTS

FC1500



COMPONENT PARTS

FC1500



DWG. NO.	DESCRIPTION	CAT. NO.	PRICE
25	Screw FH, Pkg of 10	33336	
45	Lower Jaw (Knurled)	33173	
45	Lower Jaw (Carbide)	33174	
99	Carbide Insert/Lower Jaw (Knurl)	33116	
99	Carbide Inserts/Upper Jaw (Chisel Edge)	33117	

Local
Tel: 651-286-6001
Fax: 651-286-5959

Toll Free U.S.A. & Canada
Tel: 800-328-9646
Fax: 800-222-0002

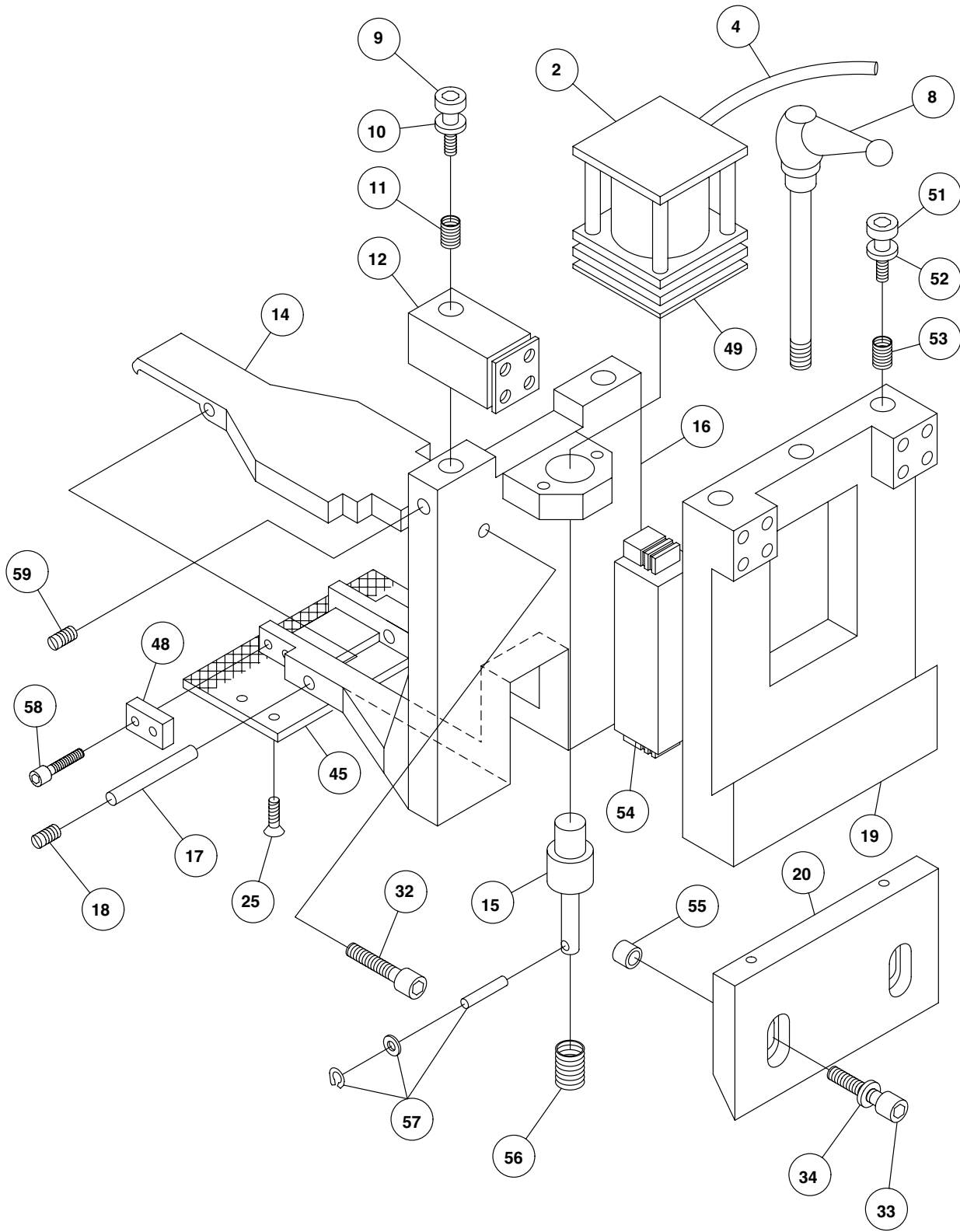
Toll Free Mexico
Tel: 001-800-741-2510
Fax: 001-800-544-2096

Website & Email
www.wilsontool.com
salesdesk@wilsontool.com



COMPONENT PARTS

FC1250S, FC1000S, FC1000H



COMPONENT PARTS

FC1250S, FC1000S, FC1000H



DWG. NO.	DESCRIPTION	CAT. NO.	PRICE
0	**Complete Assembly (Dove Tail)	33362	
2	Air Cylinder	33363	
4	Spring	33121	
5	Flexible Tubing	32752	
8	Clamp Lever	33364	
9	Screw, Pkg of 10	33365	
10	Cap Screw (1/4-20 x 3/4) add size in notes	33320	
10	Lock Washer, Pkg of 10	33372	
11	Dove Tail Spring	32663	
12	Block	33366	
14	Upper Jaw-Carbide	33191	
16	Body (Upper Unit)	33185	
16	Body (Lower Unit)	33186	
16	Clamp Body (Modular)	33189	
17 & 18	Dowel Pin	32939	
19	Mounting Plate	33367	
20	Wedge Plate	33368	
58	Screw, AH Pkg of 10	33313	
22	Screw (1/4-20 x 1/4)	33350	
24	Clamp Lever	33209	
25	Screw, FH Pkg of 10	33336	
27	Dowel	33131	
29	Dove Tail Spring	32663	
32 & 33	Screw, Pkg of 10	33369	
45	Lower Jaw	33188	
48	Gage Block	33187	
52	Lock Washer, Pkg of 10	33372	
54	Bearing Assembly (One required per side)	33370	
Not Pictured	Flute Bearing (Two required per side)	33373	
55	Spacer	33371	
56	Spring	33374	
59	Socket Set Screw	33350	
99	Carbide Insert/Lower Jaw (Knurl)	33116	
99	Carbide Insert/Upper Jaw (Chisel Edge)	33117	

**Note: The 1250XP uses Part# 33362 if it attaches to a Dove Tail holder
Use Part# 32901 on page 12 if it attaches to a Key Slot holder

Local
Tel: 651-286-6001
Fax: 651-286-5959

Toll Free U.S.A. & Canada
Tel: 800-328-9646
Fax: 800-222-0002

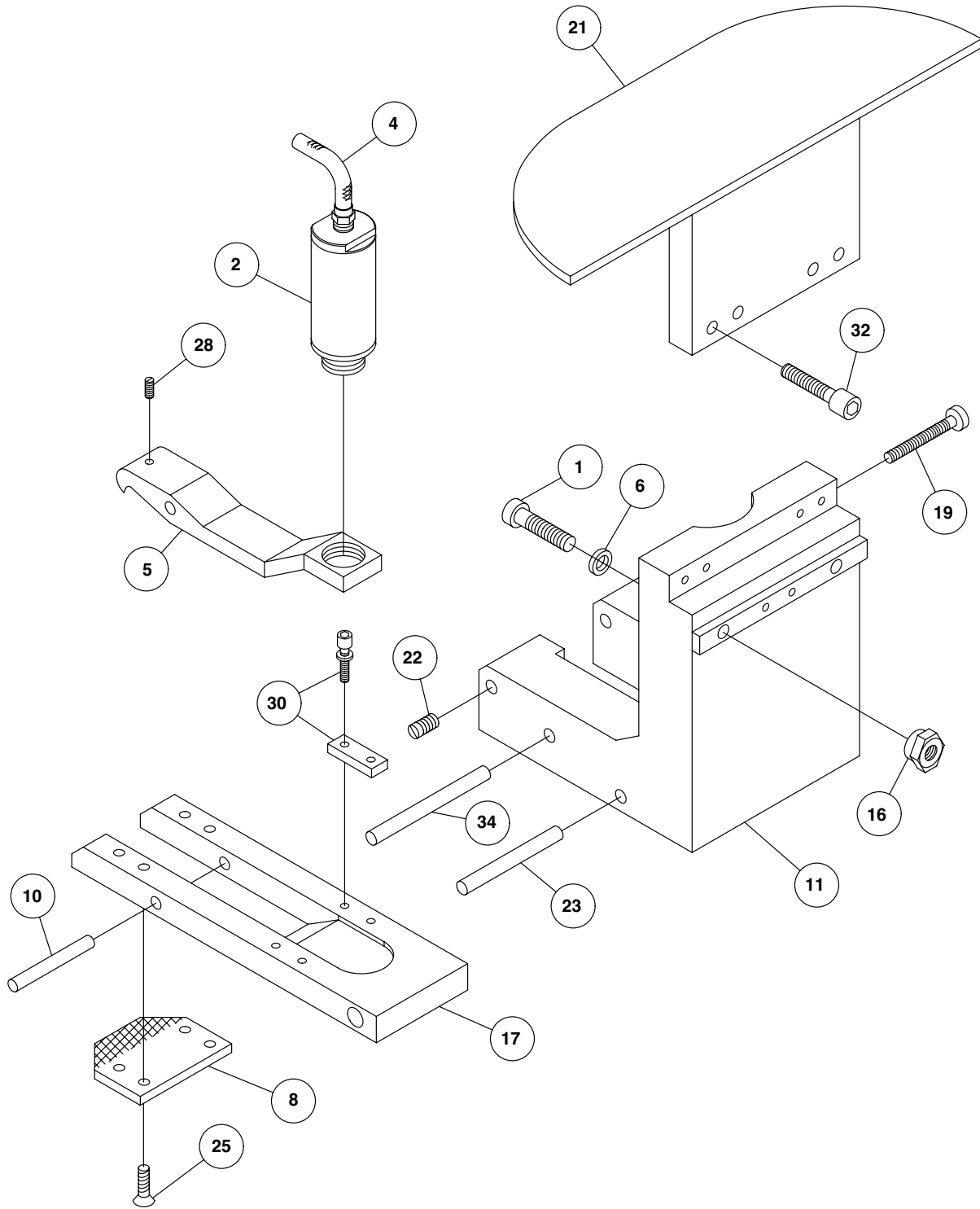
Toll Free Mexico
Tel: 001-800-741-2510
Fax: 001-800-544-2096

Website & Email
www.wilsontool.com
salesdesk@wilsontool.com



COMPONENT PARTS

1000R, 1000XP, 1000XT, 1250R



COMPONENT PARTS

12

1000R, 1000XP, 1000XT, 1250R

DWG. NO.	DESCRIPTION	CAT. NO.	PRICE
0	Complete Assembly (Keyslot Holder)	32901	
0	Jaw Pack (Incl. #05, #08, #10, #17)	32909	
1	Screw AH, Pkg of 10	33329	
2	Air Cylinder	32902	
4	Air Hose Assembly	33045	
5	Clamp (Upper Jaw)	32912	
6	Washer Steel Hardened	33354	
8	Clamp Plate (Lower Jaw)	32910	
10	Dowel Pin	32903	
11	Holder Mount	32905	
16	Tee Nut	33006	
17	Body (Pivot Arm)	32911	
21	CAM	32907	
23	Dowel Pin (3/8 x 1-3/4) 2 Req	33302	
25	Screw FH, Pkg of 10	33335	
28	Screw SS, Pkg of 10	33347	
34	Screw/Pin/Set	32908	
99	Urethane Boot (for item 5)	33355	

Local
Tel: 651-286-6001
Fax: 651-286-5959

Toll Free U.S.A. & Canada
Tel: 800-328-9646
Fax: 800-222-0002

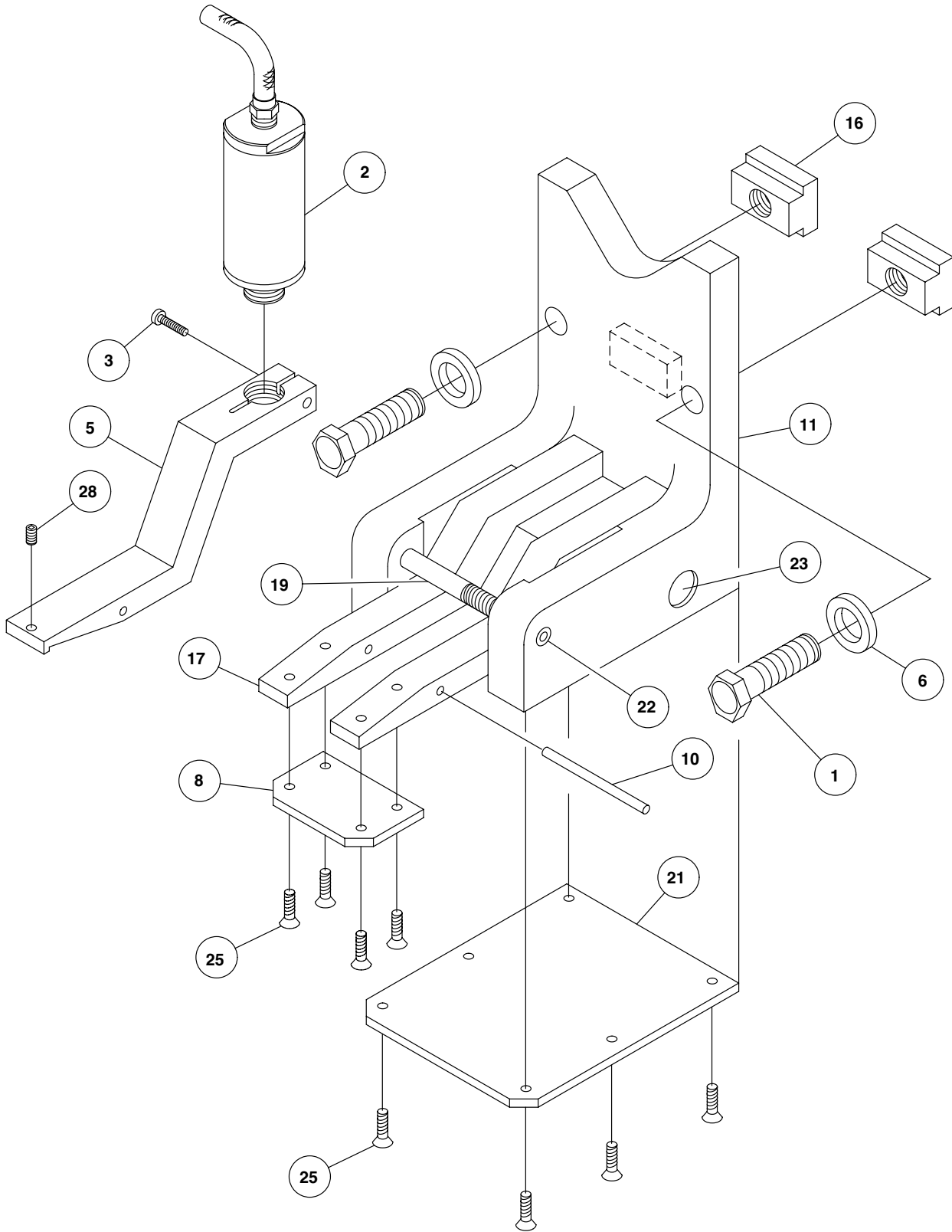
Toll Free Mexico
Tel: 001-800-741-2510
Fax: 001-800-544-2096

Website & Email
www.wilsontool.com
salesdesk@wilsontool.com



COMPONENT PARTS

CAP 1000



COMPONENT PARTS

CAP 1000



DWG. NO.	DESCRIPTION	CAT. NO.	PRICE
0	Complete Assembly	32900	
0	Jaw Pack (Incl. #05, #08, #10, #17)	32909	
1	Screw AH, Pkg of 10	33329	
2	Air Cylinder	32902	
4	Air Hose Assembly	33045	
5	Clamp (Upper Jaw)	32912	
6	Washer Steel Hardened	33354	
8	Clamp Plate (Lower Jaw)	32910	
10	Dowel Pin	32903	
11	Holder Mount	32904	
16	Tee Nut	33006	
17	Body (Pivot Arm)	32911	
19	Socket Head Cap Screw (1/4-20 x 2-3/4)	33323	
21	Actuator Plate	32906	
22	Socket Set Screw (1/4-20 x 1/4)	33350	
23	Dowel Pin (3/8 x 1-3/4) 2 Req	33302	
25	Screw FH, Pkg of 10	33335	
28	Screw SS, Pkg of 10	33347	
99	Urethane Boot (for item 5)	33355	

Local
Tel: 651-286-6001
Fax: 651-286-5959

Toll Free U.S.A. & Canada
Tel: 800-328-9646
Fax: 800-222-0002

Toll Free Mexico
Tel: 001-800-741-2510
Fax: 001-800-544-2096

Website & Email
www.wilsontool.com
salesdesk@wilsontool.com



Visit us at www.wilsontool.com

“Our goal is to deliver the most reliable, innovative, durable, and consistent tools, such that our customers can be the most successful fabricators in the world.”

Toll Free Order Desk

U.S. & CANADA
tel 1-800-328-9646
fax 1-800-222-0002

MEXICO
tel 001-800-741-2510
fax 001-800-544-2096

BELGIUM
tel 0032-14257474
fax 0032-14257475

DENMARK
tel 80 20 20 24
fax 80 20 20 26

IRISH REPUBLIC
tel 1-800-709009
fax 1-800-535538

NORWAY
tel 800 10809
fax 800 10803

SWEDEN
tel 020 79 14 19
fax 020 79 14 18

FINLAND
tel 09-3512569
fax 09-3513769

or
tel 06-4764300
fax 06-4764301

FRANCE,
SWITZERLAND
tel 0800-90-8488
fax 0800-90-8520

GERMANY, AUSTRIA,
SWITZERLAND,
THE NETHERLANDS
tel 00800-9457668665
fax 00800-945766329

The Stripit name and its product names are registered trademarks of Stripit/LVD Inc. and are not affiliated with Wilson Tool International, Inc.



Xtra Tooling Division
12912 Farnham Avenue
White Bear Lake, MN 55110

Tel (Free): 800-328-9646
Fax (Free): 800-222-0002
Email: salesdesk@wilsontool.com

WILSON TOOL INTERNATIONAL

Wilson Tool International, Inc. United States

12912 Farnham Avenue
White Bear Lake, MN 55110 USA
Tel (Free): 800-328-9646
Tel: 651-286-6001
Fax (Free): 800-222-0002
Fax: 651-286-5959
Email: marketing@wilsontool.com

Wilson Tool International, Ltd. United Kingdom

Stirling Road, South Marston
Industrial Estate, Swindon,
Wiltshire, SN3 4TQ England
Tel (Free): 0800-373748
Tel: +44 1793 831818
Fax (Free): 0800-373758
Fax: +44 1793 831945 or 46
Email: sales@wilsontool.co.uk

Wilson Tool International China LLC

Rm 2F/C No.1076 Jiangning Road
Shanghai 200060 China
Tel: +86 21 62660958
+86 21 62662396
Fax: +86 21 62662364
Email: ldtool@guomai.sh.cn

Wilson Tool International Germany

Gottlieb Daimler Str 2
31552 Rodenberg, Germany
Tel (Free): 00800-9457668665
Tel: +49 5723 747 0
Fax (Free): 00800-945766329
Fax: +49 5723 747 10
Email: verkauf@wilsontool.eu.com

Wilson Tool International A/S Denmark

Islevdalvej 100
DK-2610
Roedovre, Denmark
Tel (Free): +80 20 20 24
Tel: +45 44 53 1699
Fax (Free): +80 20 20 26
Fax: +45 44 53 0607
Email: sales@wilsontool.dk